



COMBiLiFT

CUSTOMIZED HANDLING SOLUTIONS

C22,000 – C26,000

making short work of long loads



forward/reverse mode



carousel mode



sideward mode



three machines in one

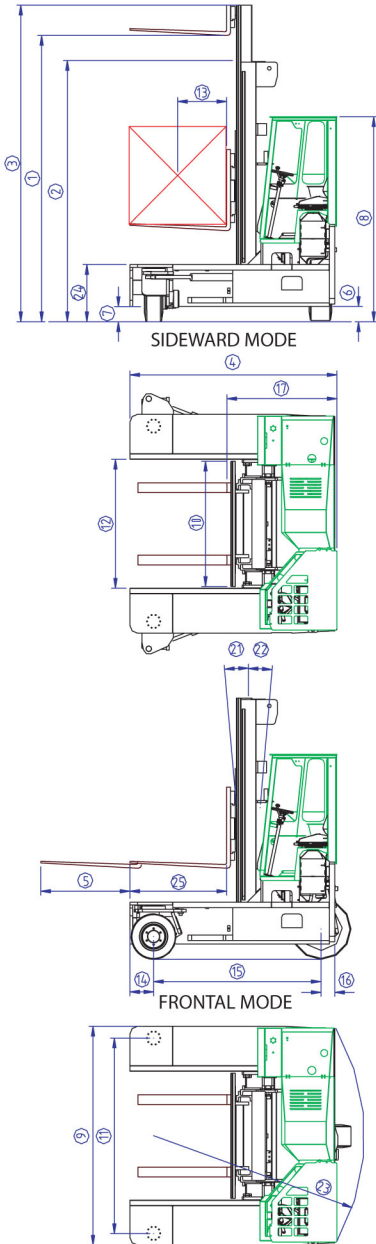
– counterbalance forklift – sideloader – aisle truck

www.COMBiLiFT.COM



SPECIFICATIONS

Model
C22,000_{LBS} > C26,000_{LBS}



REF	DESCRIPTION	C22,000	C26,000
1a	Max. Lift Height		161"
1b	Free Lift Height		0"
2	Height Mast Closed		136"
3	Max.(Mast raised)		228"
4	Overall Length		121"
5	Mast Travel		68"
6	Ground Clearance Under Mast		11"
7	Ground Clearance to Center of Wheelbase		6"
8	Height of Cab		102"
9	Width		110"
10	Outside Spread of Fork Arms		63"
11	Track Front		98½"
12	Frame Opening		65"
13	Load Center Distance		24"
14	Overhang Front		12"
15	Wheel Base		101"
16	Overhang Back		8"
17	Length From Face of Fork		54"
18	Approach Angle		45°
19	Ramp Angle		29°
20	Departure Angle		45°
21	Forward Tilt		3°
22	Backward Tilt		5°
23	Minimum Outside Radius		91"
24	Platform Height		28"
25	Platform Length		66½"
A	Capacity	22,000 lbs	26,000 lbs
B	Unladen Weight	31300 lbs	32300 lbs
C	Maximum Ground Speed		9 mph
D	Gradability		15%
E	V3300-TE Kubota Diesel / 4.3ltr GM LP Gas		83HP / 96HP
F	Electric's		12 Volt
G	Fork Section 2½" x 8" x		66½"
H	22 x 12 x 16 Front Tyre (Solid Rubber)		OD 22"/Width 12"
I	840/350-559 Rear Tyre (Solid Rubber)		OD 33"/Width 14"
J	Standard Color		Green & Grey
K	Suspension Seat		KAB Model 211

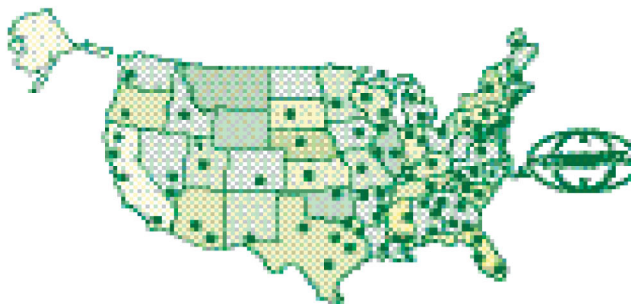
FEATURES INCLUDE:

- Rubber Mounted Half Cabin with Top, Front, Side, and Rear Glass
- 3 Wheel Hydrostatic Drive
- Multi - Direction Operation
- Load Sensing Steering
- 4 way lever Positioning of Wheels

Compare the options

	Outside	Inside	4-Way
COMBILIFT	✓	✓	✓
4-Way Electric	✗	✓	✓
Counterbalance	✓	✓	✗
Side Loader	✓	✗	✗

Distributed By



COMBILIFT USA
303 Concord Street
Greensboro,
North Carolina 27406
Tel: 1877 Combi 56

Combilift Ltd., Gallinagh,
Monaghan, Ireland
Tel: +353 47 80500
Fax: +353 47 80501
info@combilift.com

www.COMBILIFT.COM