



COMBiLiFT

Customised Handling Solutions

C6000 – C10,000

making short work of long loads



forward/reverse mode



carousel mode



sideward mode



three machines in one

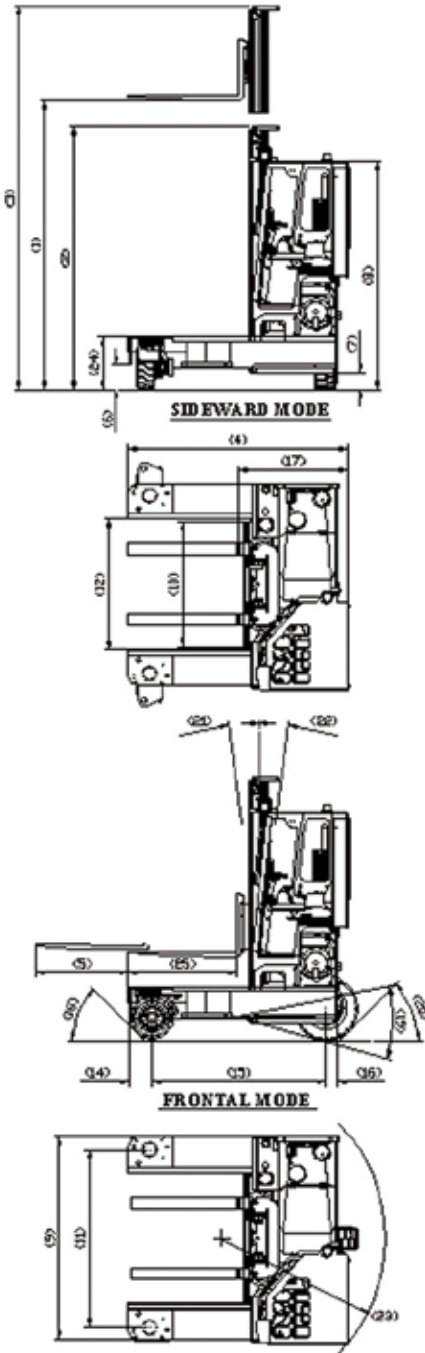
- counterbalance forklift - sideloader - aisle truck

www.COMBiLiFT.COM



SPECIFICATIONS

Model C6000, C8000, C9000, C10,000

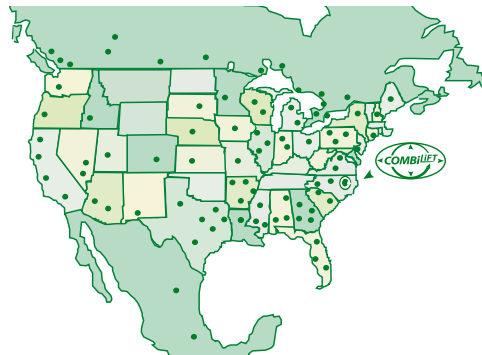


REF	DESCRIPTION	C6000	C8000	C9000	C10,000
1a	Max. Lift Height		159"		159"
1b	Free Lift Height		0"		0"
2	Height Mast Closed		113"		113"
3	Max. (Mast raised)		192"		192"
4	Overall Length	80"	94"	102"	102"
5	Mast Travel	35"	49"	55"	55"
6	Ground Clearance Under Mast		6"		6"
7	Ground Clearance to Center of Wheelbase		8"		8"
8	Height Over Cab or of Overhead Guard		95"		95"
9	Width		86"		86"
10	Outside Spread of Fork Arms		53"		53"
11	Track Front		78"		78"
12	Frame Opening		55"		55"
13	Load Center Distance	18"	24"		24"
14	Overhang Front		9"		9"
15	Wheel Base	62"	75"		84"
16	Overhang Back		9"		9"
17	Length From Face of Fork		47"		49"
18	Approach Angle		45°		45°
19	Ramp Angle		29°		29°
20	Departure Angle		45°		45°
21	Forward Tilt		3°		3°
22	Backward Tilt		5°		5°
23	Minimum Outside Radius	66"	70"		75"
24	Platform Height		21"		21"
25	Platform Length	33"	47"		53"
A	Capacity	6000lbs	8000lbs	9000lbs	10,000lbs
B	Unladen Weight	11200lbs	12780lbs	12900lbs	13,400lbs
C	Maximum Ground Speed		9 mph		9 mph
D	Gradability		15%		15%
E	V2003 T Kubota Diesel / 3 ltr. GM LPG		60 HP / 65 HP		60 HP / 65 HP
F	Electric's		12 Volt		12 Volt
G	Fork Section (1 3/4" x 6" x)	33"	47"	53"	53"
H	200/50 x 10 Front Tire (Super Elastic)		OD18" / Width 8"		OD18" / Width 8"
I	27 x 10-12 Rear Tire (Super Elastic)		OD 27" / Width 10"		OD 27" / Width 10"
J	Standard Color		Green & Grey		Green & Grey
K	Suspension Seat		KAB Model 116		KAB Model 116

FEATURES INCLUDE:

• Multi-Direction Operation	• USA Components, SAE hoses & fittings
• 3 Wheel Hydrostatic Drive	• Simple & reliable without complicated electronics
• Single 4 way lever to Change Direction & Select Drive	• Deep Suspension Seat standard
• Load Sensing Steering	

Distributed By



COMBILIFT Ltd

Co. Monaghan
Ireland

Tel: 011 353 47 80500

Fax: 011 353 47 80501

COMBILIFT USA

303 Concord Street, Greensboro
North Carolina 27406

Toll Free: 1-877 COMBI 56

Tel: 336-378-8884

Fax: 336-378-8842

info@combilift.com

Combilift has a policy of continuous product development and reserves the right to alter specifications without prior notice. Specifications and/or dimensions may vary from those illustrated in some countries.

www.COMBILIFT.COM