



## Electric Counterbalanced Trucks 4,400 to 7000 lb. Capacity

E20P/600H, E25P/600H, E25PL, E25P/600HL, E30PL,  
E30P/600H, E30P/600HL, E35PL, and E35PHL  
SERIES 387

### Safety

Excellent visibility of load and through the mast is a key element of forklift safety. This is accomplished via slim (narrow and deep) mast rails, made possible by the unique Linde top mounted tilt cylinders. This feature also allows for excellent mast stability due to a higher mounting point than conventional designs. The automatic brake system ensures immediate stopping anytime the driver leaves the seat.

### Performance

Powerful dual drive motors allow fast travel speeds, but even more important, fast acceleration. The operational performance combined with unmatched lifting speeds; enable this truck series to operate in place of engine powered units. This unique drive motor arrangement lets the trucks negotiate railroad crossings, curbs, ramps or other obstacles with ease. High performance auxiliary hydraulic circuits make it possible to achieve peak productivity with even the most demanding attachments.

### Operator Comfort

Consistent high levels of performance and efficiency, for extended periods of time, are only possible if the operator feels at ease with the machine. The ergonomic layout of all controls, adjustability of armrest and seat, Linde Load Control system and a "floating" cab provide the best possible operating environment and intuitive interface between truck and operator.

## Linde Material Handling



### Reliability

Reliability and durability are a Linde design objective. All components and assemblies are tested to meet rigorous longevity standards. During truck operation, dual electronic control circuits monitor all systems to ensure flawless performance. Sealed component housings and enclosures provide additional protection against the ingress of contaminants, abrasives and moisture.

### Productivity

Effective and efficient, the unique Linde energy management system ensures optimal performance and unmatched energy utilization. Uptime is achieved through the use of highly reliable components, a superb level of comfort for the driver and robust truck design features.

# Standard and optional equipment

## Standard Equipment

Hydrostatic power steering

Linde dual pedal travel control

Individual hydraulic control levers integrated into the adjustable armrest

80 Volt electrical system

2 x 12 HP, high performance, maintenance free, AC drive motors

29.5 HP, high performance, maintenance free, AC hydraulic motor

Display of battery operating time in minutes

Automatic parking brake

Linde dual motor drive

Proportional reduction of travel speed when cornering (Linde Drive Assistant)

Full suspension, adjustable, PVC operator's seat with armrest

Comprehensive digital instrument display

Generous storage space for writing materials and miscellaneous items

SE tires

Linde patented combi axle

## Optional Equipment

Single pedal travel control

Simple masts

Dual masts

Triple masts

Various standard and special fork sizes

Integrated sideshifting carriage

Hydraulic circuits for attachments

Tilt range memory

Front, rear, and top screens with wipers

Full cab with hinged doors

Cab heater / defroster

Fabric covered seat

Super-comfort seat with air suspension, heater and backrest extension

Swivelling seat (17°)

Additional lighting

Full road lighting

Flashing beacon

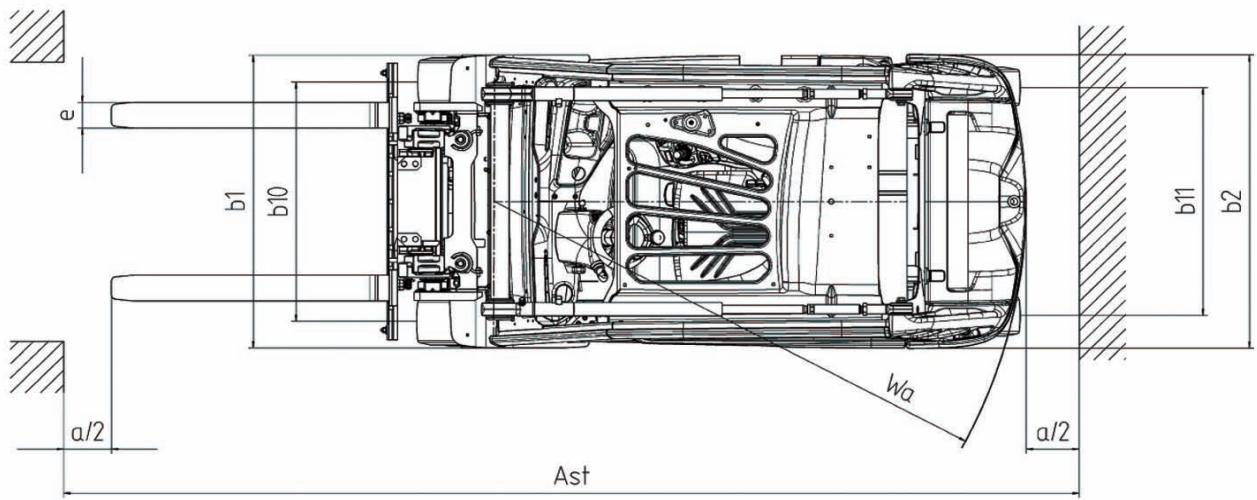
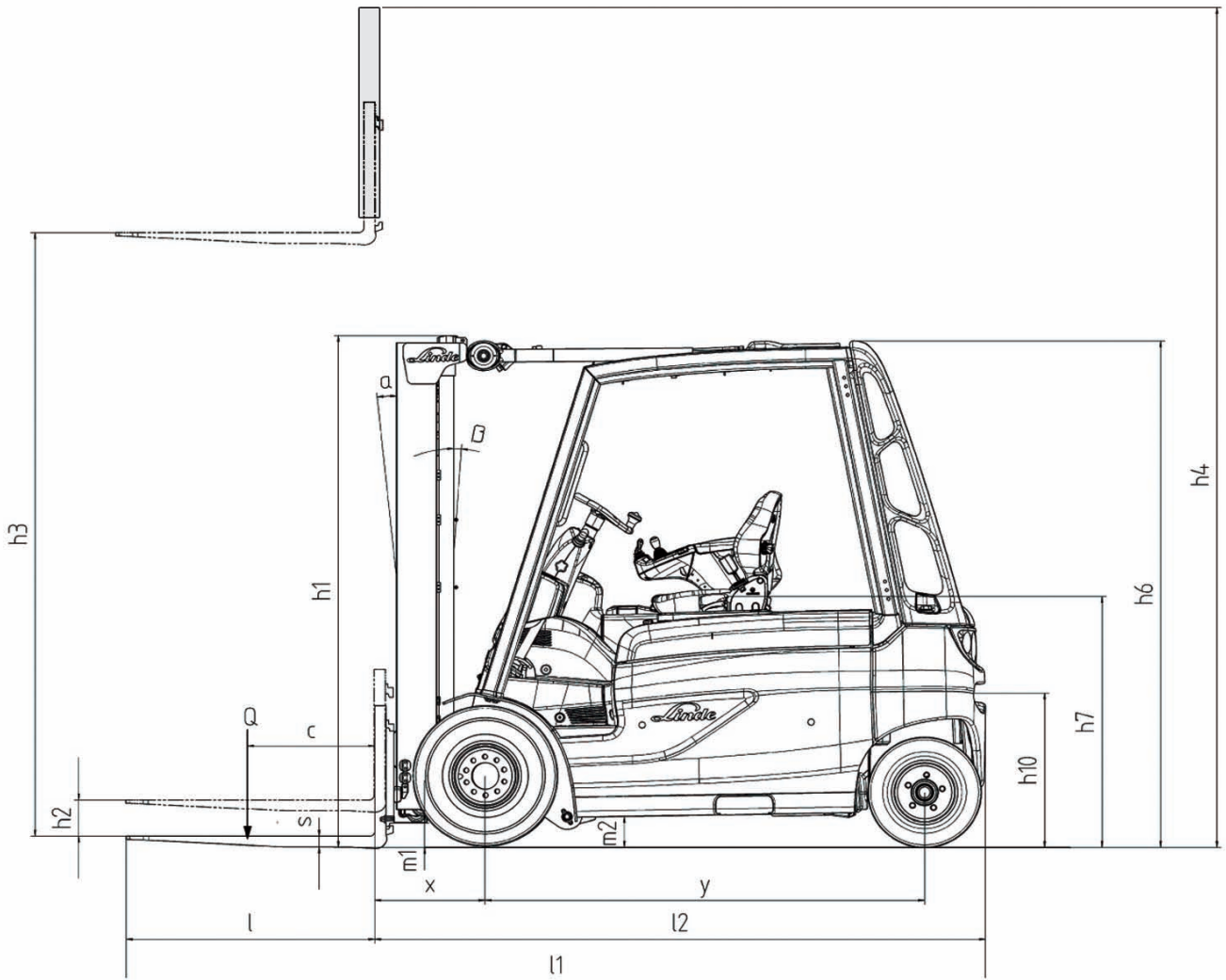
Backup alarm

External, internal mirrors

Clipboard

Cold store protection

Other options available on request



# Technical data

December 2011 SERIES 387 (E20P/600H and E25P/600H)

					Linde		
					E20P / 600 H		
Characteristics	1.1	Manufacturer					
	1.2	Model designation					
	1.3	Power unit					
	1.4	Operation			Battery		
					Seated		
	1.5	Load capacity	Q	lb.	kg	4500	2000
	1.6	Load center	c	in.	mm	24	600
	1.8	Axle center to fork face	x	in.	mm	17.5	445
	1.9	Wheelbase	y	in.	mm	65	1651
Weight	2.1	Service weight		lb.	kg	10615 <sup>2</sup>	4825 <sup>2</sup>
	2.2	Axle load with load, front/rear		lb.	kg	12949 / 2065 <sup>2</sup>	5886 / 939 <sup>2</sup>
	2.3	Axle load without load, front/rear		lb.	kg	5764 / 4851 <sup>2</sup>	2620 / 2205 <sup>2</sup>
Wheels & Tires	3.1	Tires: rubber, SE, pneumatic, polyurethane			type		
	3.2	Tire size: front		in.	SE		
	3.3	Tire size: rear		in.	23 x 9-10		
	3.5	Wheels, number front/rear (x = driven)			200 / 50-10		
	3.6	Track width, front	b10	in.	mm	2x / 2	
	3.7	Track width, rear	b11	in.	mm	37.1	942
						35.4	900
Dimensions	4.1	Mast/fork carriage tilt, forward/back	a/b	deg.		5.0 / 8.0 <sup>4</sup>	
	4.2	Height of mast, lowered	h1	in.	mm	See mast table	
	4.3	Free lift	h2	in.	mm	See mast table	
	4.4	Lift	h3	in.	mm	See mast table	
	4.5	Height of mast, extended (includes LBR)	h4	in.	mm	s + h3 + 48" (LBR)	
	4.7	Height of overhead guard (cabin)	h6	in.	mm	88.1	2237
	4.8	Height of seat/stand-on platform	h7	in.	mm	45.7	1160
	4.12	Height of tow coupling	h10	in.	mm	25.8	656
	4.19	Overall length with 42" forks	l1	in.	mm	132	3352
	4.20	Length to fork face	l2	in.	mm	92.6	2352
	4.21	Overall width	b1/b2	in.	mm	45.3 / 45.1	1150 / 1146
	4.22	Fork dimensions	s/e/l	in.		1.75 x 4 x 42	
	4.23	Fork carriage to ISO 2328, class/type A, B		class		Class 2	Class 2A
	4.24	Width of fork carriage	b3	in.	mm	42.5	1080
	4.31	Ground clearance, below mast	m1	in.	mm	5.1	130
	4.32	Ground clearance, center of wheelbase	m2	in.	mm	4.7	120
	4.34.0	Aisle width with pallet, including (48") forks	Ast	in.	mm	150.4 <sup>1</sup>	3820 <sup>1</sup>
4.34.1	Aisle width	Ast	in.	mm	94.5 <sup>3</sup>	2400 <sup>3</sup>	
4.35	Turning radius	Wa	in.	mm	75.1	1907	
4.36	Minimum pivoting point distance	b13	in.	mm	0		
Performance	5.1	Travel speed, with/without load		mph	km/h	12.5 / 12.5	20 / 20
	5.2	Lifting speed, with/without load		f/m	m/s	88 / 110	0.45 / 0.56
	5.3	Lowering speed, with/without load		f/m	m/s	106 / 106	0.54 / 0.54
	5.5	Tractive force, with/without load		lbf	N	1034 / 1034	4600 / 4600
	5.6	Maximum tractive force, with/without load		lbf	N	3372 / 3372	15000 / 15000
	5.8	Maximum climbing ability, with/without load		%		23.0 / 33.4	
	5.10	Service brake				Hydraulic / Mechanical	
Power	6.1	Drive motor, 60 minute rating		hp	kW	2x 12	2x 9
	6.2	Lift motor rating at S3 15%		hp	kW	29.5	22
	6.3	Battery compartment dimensions, l x w x h		in.		40.8 x 28.3 x 31.8	
	6.4	Battery voltage		V		80	
	6.5	Battery weight (min - max)		lb.	kg	3263 / 3607	1480 / 1636
Others	8.1	Type of drive control				Digital / Stepless	
	8.2	Operating pressure for attachments		psi	bar	2465	170
	8.3	Oil flow for attachments		gpm	l/min.	13.2	50

1) Including 48 inch (1220 mm) forks and 8 inch (200 mm) operating clearance.

2) All weights are with average battery weight between min. and max..

3) Add length of load and operational clearance

4) 5f / 6b with all dual and triple masts..

# Technical data

December 2011 SERIES 387 (E25P/600 H, E25P L and E25P/600 HL)

Linde		Linde		Linde		1.1
E25P / 600 H		E25P L		E25P / 600 HL		1.2
Battery		Battery		Battery		1.3
Seated		Seated		Seated		1.4
5500	2500	5000	2500	5500	2500	1.5
24	600	24	500	24	600	1.6
18.4	468	17.5	445	18.4	468	1.8
65.0	1651	69.6	1767	70.7	1796	1.9
11946 <sup>2</sup>	5430 <sup>2</sup>	10087 <sup>2</sup>	4585 <sup>2</sup>	11979 <sup>2</sup>	5445 <sup>2</sup>	2.1
15580 / 1865 <sup>2</sup>	7082 / 848 <sup>2</sup>	14104 / 1480 <sup>2</sup>	6412 / 673 <sup>2</sup>	15525 / 1953 <sup>2</sup>	7057 / 888 <sup>2</sup>	2.2
6523 / 5423 <sup>2</sup>	2965 / 2465 <sup>2</sup>	5665 / 4422 <sup>2</sup>	2575 / 2010 <sup>2</sup>	6754 / 5225 <sup>2</sup>	3070 / 2375 <sup>2</sup>	2.3
SE		SE		SE		3.1
23 x 9-10		23 x 9-10		23 x 9-10		3.2
200 / 50-10		200 / 50-10		200 / 50-10		3.3
2x / 2		2x / 2		2x / 2		3.5
37.1	942	37.1	942	37.1	942	3.6
35.4	900	35.4	900	35.4	900	3.7
5.0 / 8.0 <sup>4</sup>		5.0 / 8.0 <sup>4</sup>		5.0 / 8.0 <sup>4</sup>		4.1
See mast table		See mast table		See mast table		4.2
See mast table		See mast table		See mast table		4.3
See mast table		See mast table		See mast table		4.4
s + h3 + 48" (LBR)		s + h3 + 48" (LBR)		s + h3 + 48" (LBR)		4.5
88.1	2237	81.9	2080	88.1	2237	4.7
45.7	1160	39.5	1002	45.7	1160	4.8
25.9	658	24.6	624	25.9	659	4.12
132.9	3375	136.4	3463	138.6	3520	4.19
93.5	2375	97.0	2463	99.2	2520	4.20
45.3 / 45.2	1150 / 1146	45.3 / 45.2	1150 / 1148	45.3 / 45.1	1150 / 1146	4.21
1.75 x 4 x 42		1.75 x 4 x 42		1.75 x 4 x 42		4.22
Class 2	Class 2A	Class 2	Class 2A	Class 2	Class 2A	4.23
45.3	1150	42.5	1080	45.3	1150	4.24
5.0	127	5.1	130	5.0	127	4.31
4.7	120	4.7	120	4.7	120	4.32
151.3 <sup>1</sup>	3842 <sup>1</sup>	154.0 <sup>1</sup>	3931 <sup>1</sup>	157 <sup>1</sup>	3987 <sup>1</sup>	4.34.0
95.4 <sup>3</sup>	2422 <sup>3</sup>	98.9 <sup>3</sup>	2511 <sup>3</sup>	101.1 <sup>3</sup>	2567 <sup>3</sup>	4.34.1
75.1	1907	79.5	2018	80.7	2052	4.35
0		0		0		4.36
12.5 / 12.5	20 / 20	12.5 / 12.5	20 / 20	12.5 / 12.5	20 / 20	5.1
86 / 104	0.44 / 0.53	88 / 110	0.45 / 0.56	86 / 104	0.44 / 0.53	5.2
110 / 110	0.56 / 0.56	106 / 106	0.54 / 0.54	110 / 110	0.56 / 0.56	5.3
1034 / 1034	4600 / 4600	1034 / 1034	4600 / 4600	1034 / 1034	4600 / 4600	5.5
3372 / 3372	15000 / 15000	3372 / 3372	15000 / 15000	3372 / 3372	15000 / 15000	5.6
19.7 / 29.3		22.1 / 35.4		19.6 / 29.3		5.8
Hydraulic / Mechanical		Hydraulic / Mechanical		Hydraulic / Mechanical		5.10
2x 12	2x 9	2x 12	2x 9	2x 12	2x 9	6.1
29.50	22	29.5	22	29.5	22	6.2
40.8 x 28.3 x 31.8		40.8 x 34.0 x 25.6		40.8 x 33.8 x 31.8		6.3
80		80		80		6.4
3263 / 3607	1480 / 1636	3054 / 3375	1385 / 1531	3901 / 4312	1769 / 1956	6.5
Digital / Stepless		Digital / Stepless		Digital / Stepless		8.1
2465	170	2465	170	2465	170	8.2
13.2	50	13.2	50	13.2	50	8.3



# Technical data

December 2011 SERIES 387 (E30PL)

Characteristics	1.1	Manufacturer			Linde		
	1.2	Model designation			E30PL		
	1.3	Power unit			Battery		
	1.4	Operation			Seated		
	1.5	Load capacity	Q	lb.	kg	6000	3000
	1.6	Load center	c	in.	mm	24	500
	1.8	Axle center to fork face	x	in.	mm	18.5	471
	1.9	Wheelbase	y	in.	mm	65.6	1655
	Weight	2.1	Service weight		lb.	kg	11715 <sup>2</sup>
2.2		Axle load with load, front/rear		lb.	kg	16632 / 1683 <sup>2</sup>	7560 / 765 <sup>2</sup>
2.3		Axle load without load, front/rear		lb.	kg	6182 / 5533 <sup>2</sup>	2810 / 2515 <sup>2</sup>
Wheels & Tires	3.1	Tires: rubber, SE, pneumatic, polyurethane		type		SE	
	3.2	Tire size: front		in.		23 x 9-10	
	3.3	Tire size: rear		in.		200 / 50-10	
	3.5	Wheels, number front/rear (x = driven)		x = driven		2x / 2	
	3.6	Track width, front	b10	in.	mm	37.1	942
	3.7	Track width, rear	b11	in.	mm	34.9	886
	Dimensions	4.1	Mast/fork carriage tilt, forward/back	a/b	deg.		5.0 / 8.0 <sup>4</sup>
4.2		Height of mast, lowered	h1	in.	mm	See mast table	
4.3		Free lift	h2	in.	mm	See mast table	
4.4		Lift	h3	in.	mm	See mast table	
4.5		Height of mast, extended (includes LBR)	h4	in.	mm	s + h3 + 48" (LBR)	
4.7		Height of overhead guard (cabin)	h6	in.	mm	81.9	2080
4.8		Height of seat/stand-on platform	h7	in.	mm	39.5	1002
4.12		Height of tow coupling	h10	in.	mm	24.5	623
4.19		Overall length with 42" forks	l1	in.	mm	135.6	3444
4.20		Length to fork face	l2	in.	mm	96.2	2444
4.21		Overall width	b1/b2	in.	mm	45.3 / 46.4	1150 / 1178
4.22		Fork dimensions	s/e/l	in.		2 x 5 x 42	
4.23		Fork carriage to ISO 2328, class/type A, B		class		Class 3	Class 3A
4.24		Width of fork carriage	b3	in.	mm	45.3	1150
4.31		Ground clearance, below mast	m1	in.	mm	5.4	136
4.32		Ground clearance, center of wheelbase	m2	in.	mm	4.7	120
4.34.0		Aisle width with pallet, including (48") forks	Ast	in.	mm	157.7 <sup>1</sup>	4006 <sup>1</sup>
4.34.1	Aisle width	Ast	in.	mm	101.8 <sup>3</sup>	2586 <sup>3</sup>	
4.35	Turning radius	Wa	in.	mm	81.1	2060	
4.36	Minimum pivoting point distance	b13	in.	mm	0		
Performance	5.1	Travel speed, with/without load		mph	km/h	12.5 / 12.5	20 / 20
	5.2	Lifting speed, with/without load		f/m	m/s	82 / 110	0.42 / 0.51
	5.3	Lowering speed, with/without load		f/m	m/s	110 / 110	0.56 / 0.56
	5.5	Tractive force, with/without load		lbf	N	1034 / 1034	4600 / 4600
	5.6	Maximum tractive force, with/without load		lbf	N	3372 / 3372	15000 / 15000
	5.8	Maximum climbing ability, with/without load		%		18.7 / 30.0	
	5.10	Service brake				Hydraulic / Mechanical	
Power	6.1	Drive motor, 60 minute rating		hp	kW	2x 12	2x 9
	6.2	Lift motor rating at S3 15%		hp	kW	29.5	22
	6.3	Battery compartment dimensions, l x w x h		in.		40.8 x 34.0 x 25.6	
	6.4	Battery voltage		V		80	
	6.5	Battery weight (min - max)		lb.	kg	3054 / 3375	1385 / 1530
Others	8.1	Type of drive control				Digital / Stepless	
	8.2	Operating pressure for attachments		psi	bar	2465	170
	8.3	Oil flow for attachments		gpm	l/min.	13.2	50

1) Including 48 inch (1220 mm) forks and 8 inch (200 mm) operating clearance.

2) All weights are with average battery weight between min. and max..

3) Add length of load and operational clearance

4) 5f / 6b with all dual and triple masts.

December 2011 SERIES 387 (E30P/600H, E30P/600 HL and E35PL)

Linde		Linde		Linde		1.1
E30P / 600 H		E30P / 600 HL		E35P L		1.2
Battery		Battery		Battery		1.3
Seated		Seated		Seated		1.4
6500	3000	6500	3000	7000	3500	1.5
24	600	24	600	24	500	1.6
18.7	476	18.7	476	18.7	476	1.8
65.0	1651	70.7	1796	71.3	1810	1.9
12914 <sup>2</sup>	5870 <sup>2</sup>	12826 <sup>2</sup>	5830 <sup>2</sup>	12551 <sup>2</sup>	5705 <sup>2</sup>	2.1
17600 / 1914 <sup>2</sup>	8000 / 870 <sup>2</sup>	17461 / 1964 <sup>2</sup>	7937 / 893 <sup>2</sup>	18528 / 1722 <sup>2</sup>	8422 / 783 <sup>2</sup>	2.2
6699 / 6217 <sup>2</sup>	3045 / 2825 <sup>2</sup>	6908 / 5918 <sup>2</sup>	3140 / 2690 <sup>2</sup>	6677 / 5874 <sup>2</sup>	3035 / 2670 <sup>2</sup>	2.3
SE		SE		SE		3.1
23 x 10-12		23 x 10-12		315 / 45-12		3.2
200 / 50-10		200 / 50-10		200 / 50-10		3.3
2x / 2		2x / 2		2x / 2		3.5
38.6	980	38.6	980	40.5	1028	3.6
34.9	886	34.9	886	34.9	886	3.7
5.0 / 8.0 <sup>4</sup>		5.0 / 8.0 <sup>4</sup>		5.0 / 8.0 <sup>4</sup>		4.1
See mast table		See mast table		See mast table		4.2
See mast table		See mast table		See mast table		4.3
See mast table		See mast table		See mast table		4.4
s + h3 + 48" (LBR)		s + h3 + 48" (LBR)		s + h3 + 48" (LBR)		4.5
88.1	2237	88.1	2237	81.9	2080	4.7
45.7	1160	45.7	1160	39.5	1002	4.8
25.9	656	26.1	661	24.7	626	4.12
133.2	3383	138.9	3528	141.5	3594	4.19
93.9	2383	99.6	2528	102.2	2594	4.20
48.4 / 45.1	1228 / 1146	48.4 / 45.2	1228 / 1146	52. / 46.40	1322 / 1178	4.21
2 x 5 x 42		2 x 5 x 42		2 x 5 x 42		4.22
Class 3	Class 3A	Class 3	Class 3A	Class 3	Class 3A	4.23
45.3	1150	45.3	1150	45.3	1150	4.24
5.4	136	5.4	136	5.1	129	4.31
4.7	120	4.7	120	4.7	120	4.32
151.6 <sup>1</sup>	3850 <sup>1</sup>	157.3 <sup>1</sup>	3995 <sup>1</sup>	159.9 <sup>1</sup>	4061 <sup>1</sup>	4.34.0
95.7 <sup>3</sup>	2430 <sup>3</sup>	101.4 <sup>3</sup>	2575 <sup>3</sup>	104.0 <sup>3</sup>	2641 <sup>3</sup>	4.34.1
75.1	1907	80.8	2052	83.4	2118	4.35
0		0		0		4.36
12.5 / 12.5	20 / 20	12.5 / 12.5	20 / 20	12.5 / 12.5	20 / 20	5.1
82 / 100	0.42 / 0.51	82 / 100	0.42 / 0.51	76 / 100	0.39 / 0.51	5.2
110 / 110	0.56 / 0.56	110 / 110	0.56 / 0.56	110 / 110	0.56 / 0.56	5.3
1034 / 1034	4600 / 4600	1034 / 1034	4600 / 4600	1034 / 1034	4600 / 4600	5.5
3372 / 3372	15000 / 15000	3372 / 3372	15000 / 15000	3372 / 3372	15000 / 15000	5.6
17.5 / 27.0		17.6 / 27.2		16.8 / 27.8		5.8
Hydraulic / Mechanical		Hydraulic / Mechanical		Hydraulic / Mechanical		5.10
2x 12	2x 9	2x 12	2x 9	2x 12	2x 9	6.1
29.5	22	29.5	22	29.5	22	6.2
40.8 x 28.3 x 31.8		40.8 x 33.8 x 31.8		40.8 x 34.0 x 25.6		6.3
80		80		80		6.4
3263 / 3607	1480 / 1636	3901 / 4312	1769 / 1956	3901 / 4312	1769 / 1956	6.5
Digital / Stepless		Digital / Stepless		Digital / Stepless		8.1
2465	170	2465	170	2465	170	8.2
13.2	50	13.2	50	13.2	50	8.3

# Technical data

December 2011 SERIES 387 (E35P HL)

Characteristics	1.1	Manufacturer			Linde		
	1.2	Model designation			E35P HL		
	1.3	Power unit			Battery		
	1.4	Operation			Seated		
	1.5	Load capacity	Q	lb.	kg	7000	3500
	1.6	Load center	c	in.	mm	24	500
	1.8	Axle center to fork face	x	in.	mm	18.7	476
	1.9	Wheelbase	y	in.	mm	70.7	1796
	Weight	2.1	Service weight		lb.	kg	13167 <sup>2</sup>
2.2		Axle load with load, front/rear		lb.	kg	18803 / 2063 <sup>2</sup>	8547 / 938 <sup>2</sup>
2.3		Axle load without load, front/rear		lb.	kg	6919 / 6248 <sup>2</sup>	3145 / 2840 <sup>2</sup>
Wheels & Tires	3.1	Tires: rubber, SE, pneumatic, polyurethane		type		SE	
	3.2	Tire size: front		in.		315 / 45-12	
	3.3	Tire size: rear		in.		200 / 50-10	
	3.5	Wheels, number front/rear (x = driven)		x = driven		2x / 2	
	3.6	Track width, front	b10	in.	mm	40.5	1028
	3.7	Track width, rear	b11	in.	mm	34.9	886
	Dimensions	4.1	Mast/fork carriage tilt, forward/back	a/b	deg.		5.0 / 8.0 <sup>4</sup>
4.2		Height of mast, lowered	h1	in.	mm	See mast table	
4.3		Free lift	h2	in.	mm	See mast table	
4.4		Lift	h3	in.	mm	See mast table	
4.5		Height of mast, extended (includes LBR)	h4	in.	mm	s + h3 + 48" (LBR)	
4.7		Height of overhead guard (cabin)	h6	in.	mm	88.1	2237
4.8		Height of seat/stand-on platform	h7	in.	mm	45.7	1160
4.12		Height of tow coupling	h10	in.	mm	26.0	659
4.19		Overall length with 42" forks	l1	in.	mm	138.9	3528
4.20		Length to fork face	l2	in.	mm	99.6	2528
4.21		Overall width	b1/b2	in.	mm	521.1 / 45.2	1322 / 1146
4.22		Fork dimensions	s/e/l	in.		1.75 x 5 x 42	
4.23		Fork carriage to ISO 2328, class/type A, B		class		Class 3	Class 3A
4.24		Width of fork carriage	b3	in.	mm	45.3	1150
4.31		Ground clearance, below mast	m1	in.	mm	5.1	129
4.32		Ground clearance, center of wheelbase	m2	in.	mm	4.7	120
4.34.0	Aisle width with pallet, including (48") forks	Ast	in.	mm	157.3 <sup>1</sup>	3995 <sup>1</sup>	
4.34.1	Aisle width	Ast	in.	mm	101.4 <sup>3</sup>	2575 <sup>3</sup>	
4.35	Turning radius	Wa	in.	mm	80.8	2052	
4.36	Minimum pivoting point distance	b13	in.	mm	0		
Performance	5.1	Travel speed, with/without load		mph	km/h	12.5 / 12.5	20 / 20
	5.2	Lifting speed, with/without load		f/m	m/s	76 / 100	0.39 / 0.51
	5.3	Lowering speed, with/without load		f/m	m/s	110 / 110	0.56 / 0.56
	5.5	Tractive force, with/without load		lbf	N	1034 / 1034	4600 / 4600
	5.6	Maximum tractive force, with/without load		lbf	N	3372 / 3372	15000 / 15000
	5.8	Maximum climbing ability, with/without load		%		16.3 / 26.4	
	5.10	Service brake				Hydraulic / Mechanical	
Power	6.1	Drive motor, 60 minute rating		hp	kW	2x 12	2x 9
	6.2	Lift motor rating at S3 15%		hp	kW	29.5	22
	6.3	Battery compartment dimensions, l x w x h		in.		40.8 x 33.8 x 31.8	
	6.4	Battery voltage		V		80	
	6.5	Battery weight (min - max)		lb.	kg	3901 / 4312	1769 / 1956
Others	8.1	Type of drive control				Digital / Stepless	
	8.2	Operating pressure for attachments		psi	bar	2465	170
	8.3	Oil flow for attachments		gpm	l/min.	13.2	50

1) Including 48 inch (1220 mm) forks and 8 inch (200 mm) operating clearance.

2) All weights are with average battery weight between min. and max..

3) Add length of load and operational clearance

4) 5f / 6b with all dual and triple masts.



# Mast Capacity\*

## Low Chassis

Model E25PL		42" forks		1515 Mast	SE tires 23 x 9-10				Tilt	
mast type	closed height inch <b>h1</b> mm	lift height inch <b>h3</b> mm	free lift inch <b>h2</b> mm	standard carriage		integral SS carriage		hang-on SS carriage		f° / b°
				Lb.	Kg	Lb.	Kg	Lb.	Kg	
simple	84.7 / 2150	120.1 / 3050	0	5000 / 2270		5000 / 2270		4755 / 2155		5 / 8
simple	87.6 / 2225	126.0 / 3200	0	5000 / 2270		5000 / 2270		4755 / 2155		5 / 8
dual	81.8 / 2079	115.2 / 2925	51.2 / 1299	5000 / 2270		5000 / 2270		4755 / 2155		5 / 6
dual	87.6 / 2224	126.6 / 3215	57.1 / 1449	5000 / 2270		5000 / 2270		4755 / 2155		5 / 6
triple	81.8 / 2079	171.3 / 4350	51.2 / 1299	5000 / 2270		4870 / 2210		4620 / 2095		5 / 5
triple	81.6 / 2224	188.2 / 4780	57.1 / 1449	4940 / 2240		4430 / 2010		4180 / 1895		5 / 5
triple	96.5 / 2449	210.9 / 5355	65.9 / 1674	4365 / 1980		3680 / 1670		3430 / 1555		5 / 5
triple	104.3 / 2649	234.5 / 5955	73.8 / 1874	3485 / 1580		2780 / 1260		2530 / 1145		5 / 5
triple	112.2 / 2849	254.2 / 6455	108.2 / 2747	2690 / 1220		2050 / 0930		1800 / 815		5 / 5

Model E30PL		42" forks		1515 Mast	SE tires 23 x 9-10				Tilt	
mast type	closed height inch <b>h1</b> mm	lift height inch <b>h3</b> mm	free lift inch <b>h2</b> mm	standard carriage		integral SS carriage		hang-on SS carriage		f° / b°
				Lb.	Kg	Lb.	Kg	Lb.	Kg	
simple	84.7 / 2150	120.1 / 3050	0	6000 / 2730		6000 / 2730		5665 / 2570		5 / 8
simple	87.6 / 2225	126.0 / 3200	0	6000 / 2730		6000 / 2730		5665 / 2570		5 / 8
dual	81.8 / 2079	115.2 / 2925	51.2 / 1299	6000 / 2730		6000 / 2730		5665 / 2570		5 / 6
dual	87.6 / 2224	126.6 / 3215	57.1 / 1449	6000 / 2730		6000 / 2730		5665 / 2570		5 / 6
triple	81.8 / 2079	171.3 / 4350	51.2 / 1299	6000 / 2730		5885 / 2670		5535 / 2510		5 / 5
triple	81.6 / 2224	188.2 / 4780	57.1 / 1449	5690 / 2580		5445 / 2470		5095 / 2310		5 / 5
triple	96.5 / 2449	210.9 / 5355	65.9 / 1674	5000 / 2270		4630 / 2100		4275 / 1940		5 / 5
triple	104.3 / 2649	234.5 / 5955	73.8 / 1874	4035 / 1830		3595 / 1630		3240 / 1470		5 / 5
triple	112.2 / 2849	254.2 / 6455	108.2 / 2747	3175 / 1440		2755 / 1250		2405 / 1090		5 / 5

Model E35PL		42" forks		1515 Mast	SE tires 315 / 45-12				Tilt	
mast type	closed height inch <b>h1</b> mm	lift height inch <b>h3</b> mm	free lift inch <b>h2</b> mm	standard carriage		integral SS carriage		hang-on SS carriage		f° / b°
				Lb.	Kg	Lb.	Kg	Lb.	Kg	
simple	84.7 / 2150	120.1 / 3050	0	7000 / 3190		7000 / 3190		6685 / 3031		5 / 8
simple	87.6 / 2225	126.0 / 3200	0	7000 / 3190		7000 / 3190		6685 / 3031		5 / 8
dual	81.8 / 2079	115.2 / 2925	51.2 / 1299	7000 / 3190		7000 / 3190		6685 / 3031		5 / 6
dual	87.6 / 2224	126.6 / 3215	57.1 / 1449	7000 / 3190		7000 / 3190		6685 / 3031		5 / 6
triple	81.8 / 2079	171.3 / 4350	51.2 / 1299	7000 / 3190		6835 / 3100		6485 / 2941		5 / 6
triple	81.6 / 2224	188.2 / 4780	57.1 / 1449	6880 / 3120		6570 / 2980		6220 / 2821		5 / 6
triple	96.5 / 2449	210.9 / 5355	65.9 / 1674	6525 / 2960		5775 / 2620		2460 / 1115		5 / 6
triple	104.3 / 2649	234.5 / 5955	73.8 / 1874	5535 / 2510		4630 / 2100		1940 / 880		5 / 6
triple	112.2 / 2849	254.2 / 6455	108.2 / 2747	4540 / 2060		3680 / 1670		1510 / 685		5 / 6

## High Chassis

Model E20P 600H		42" forks		1514 Mast	SE tires 23 x 9-10				Tilt	
mast type	closed height inch <b>h1</b> mm	lift height inch <b>h3</b> mm	free lift inch <b>h2</b> mm	standard carriage		integral SS carriage		hang-on SS carriage		f° / b°
				Lb.	Kg	Lb.	Kg	Lb.	Kg	
simple	91.5 / 2324	135.8 / 3450	0	4500 / 2000		4500 / 2000		4250 / 1925		5 / 8
simple	97.4 / 2474	147.6 / 3750	0	4500 / 2000		4500 / 2000		4250 / 1925		5 / 8
dual	87.5 / 2224	128.7 / 3270	61.4 / 1561	4500 / 2000		4500 / 2000		4250 / 1925		5 / 6
dual	103.2 / 2624	160.2 / 4070	77.2 / 1961	4500 / 2000		4500 / 2000		4250 / 1925		5 / 6
triple	87.5 / 2222	191.5 / 4865	61.5 / 1561	4500 / 2000		3950 / 1796		3700 / 1680		5 / 6
triple	91.4 / 2324	203.4 / 5165	65.4 / 1661	4255 / 1934		3580 / 1628		3330 / 1510		5 / 6
triple	97.3 / 2474	217.1 / 5515	71.3 / 1811	3935 / 1790		3150 / 1432		2900 / 1315		5 / 6
triple	103.2 / 2624	234.8 / 5965	77.2 / 1961	3275 / 1490		2595 / 1180		2345 / 1065		5 / 6
triple	111.1 / 2824	254.5 / 6465	85.1 / 2161	2545 / 1157		1980 / 900		1730 / 785		5 / 6

High Chassis

Model E25P 600H		42" forks		1515 Mast	SE tires 23 x 9-10			Tilt	
mast type	closed height inch <b>h1</b> mm	lift height inch <b>h3</b> mm	free lift inch <b>h2</b> mm	standard carriage Lb. Kg		integral SS carriage Lb. Kg		hang-on SS carriage Lb. Kg	f° / b°
simple	87.6 / 2224	126.0 / 3200	0	5500 / 2500		5500 / 2500		5250 / 2380	5 / 8
simple	104.3 / 2649	159.5 / 4050	0	5500 / 2500		5500 / 2500		5250 / 2380	5 / 8
dual	87.6 / 2226	126.6 / 3215	57.1 / 1449	5500 / 2500		5500 / 2500		5250 / 2380	5 / 6
dual	98.5 / 2501	148.2 / 3765	67.9 / 1724	5500 / 2500		5500 / 2500		5250 / 2380	5 / 6
triple	87.6 / 2226	188.2 / 4780	57.1 / 1449	5500 / 2500		5190 / 2360		4940 / 2240	5 / 6
triple	96.5 / 2452	210.8 / 5355	65.9 / 1674	5185 / 2358		4560 / 2073		4310 / 1955	5 / 6
triple	104.4 / 2651	234.5 / 5955	73.8 / 1874	4325 / 1966		3665 / 1666		3415 / 1550	5 / 6
triple	112.2 / 2851	254.1 / 6455	81.6 / 2074	3520 / 1600		2860 / 1300		2610 / 1185	5 / 6

Model E25P 600HL		42" forks		1515 Mast	SE tires 23 x 9-10			Tilt	
mast type	closed height inch <b>h1</b> mm	lift height inch <b>h3</b> mm	free lift inch <b>h2</b> mm	standard carriage Lb. Kg		integral SS carriage Lb. Kg		hang-on SS carriage Lb. Kg	f° / b°
simple	87.6 / 2224	126.0 / 3200	0	5500 / 2500		5500 / 2500		5250 / 2380	5 / 8
simple	104.3 / 2649	159.5 / 4050	0	5500 / 2500		5500 / 2500		5250 / 2380	5 / 8
dual	87.6 / 2226	126.6 / 3215	57.1 / 1449	5500 / 2500		5500 / 2500		5250 / 2380	5 / 6
dual	98.5 / 2501	148.2 / 3765	67.9 / 1724	5500 / 2500		5500 / 2500		5250 / 2380	5 / 6
triple	87.6 / 2226	188.2 / 4780	57.1 / 1449	5500 / 2500		5190 / 2360		4940 / 2240	5 / 6
triple	96.5 / 2452	210.8 / 5355	65.9 / 1674	5185 / 2358		4560 / 2073		4310 / 1954	5 / 6
triple	104.4 / 2651	234.5 / 5955	73.8 / 1874	4325 / 1966		3665 / 1666		3415 / 1550	5 / 6
triple	112.2 / 2851	254.1 / 6455	81.6 / 2074	3520 / 1600		2860 / 1300		2610 / 1185	5 / 6

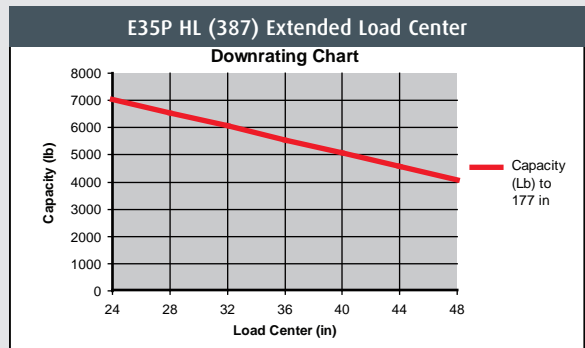
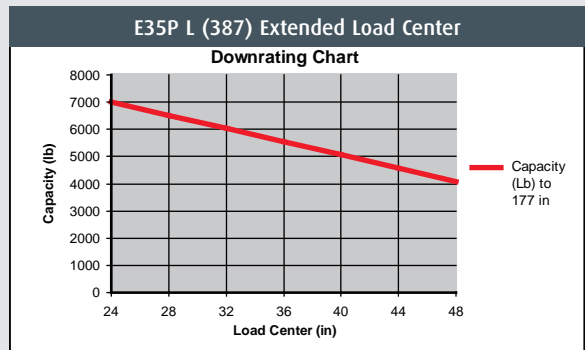
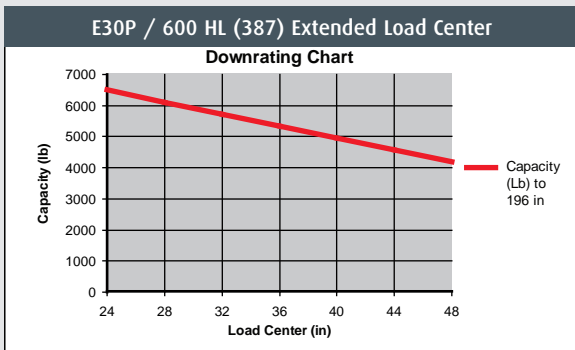
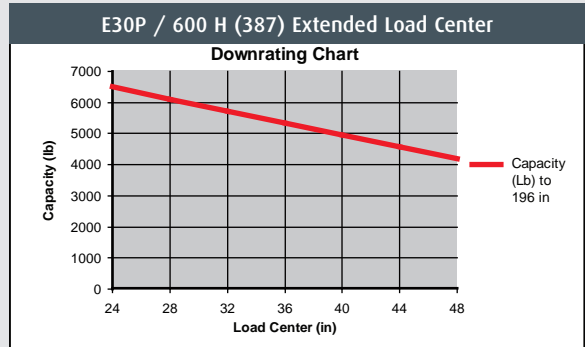
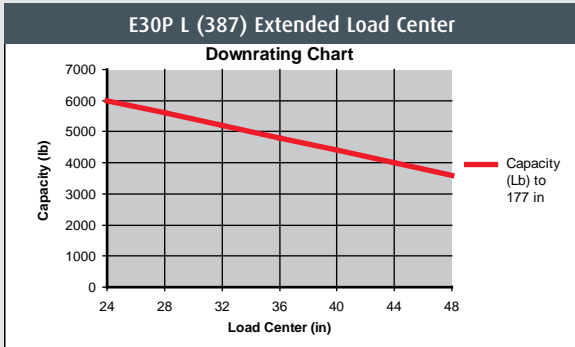
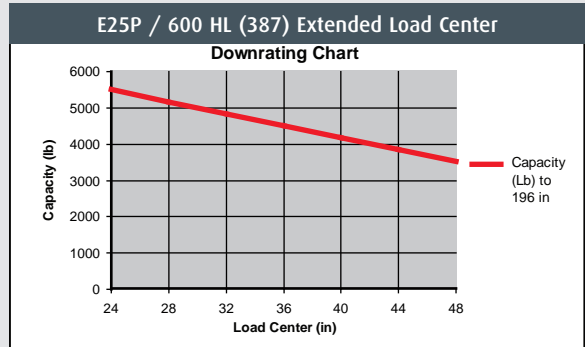
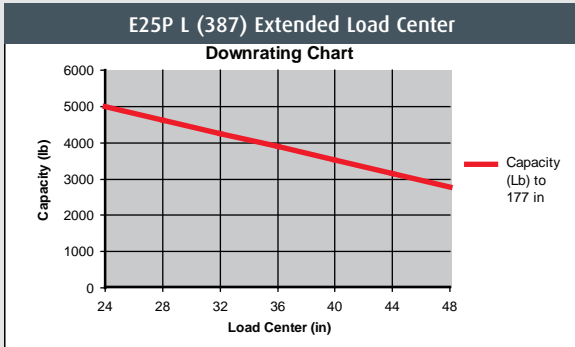
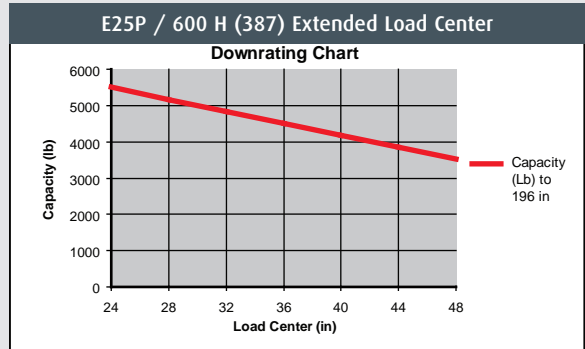
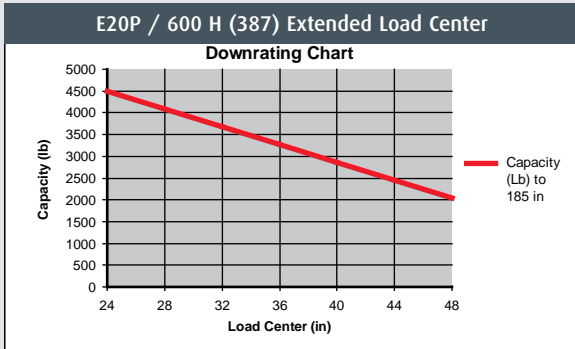
Model E30P 600H		42" forks		1515 Mast	SE tires 23 x 10-12			Tilt	
mast type	closed height inch <b>h1</b> mm	lift height inch <b>h3</b> mm	free lift inch <b>h2</b> mm	standard carriage Lb. Kg		integral SS carriage Lb. Kg		hang-on SS carriage Lb. Kg	f° / b°
simple	87.6 / 2224	126.0 / 3200	0	6500 / 3000		6500 / 3000		6150 / 2190	5 / 8
simple	104.3 / 2649	159.5 / 4050	0	6500 / 3000		6500 / 3000		6150 / 2790	5 / 8
dual	87.6 / 2226	126.6 / 3215	57.1 / 1449	6500 / 3000		6500 / 3000		6150 / 2790	5 / 6
dual	98.5 / 2501	148.2 / 3765	67.9 / 1724	6500 / 3000		6500 / 3000		6150 / 2790	5 / 6
triple	87.6 / 2226	188.2 / 4780	57.1 / 1449	6500 / 3000		6165 / 2804		5815 / 2635	5 / 6
triple	96.5 / 2452	210.8 / 5355	65.9 / 1674	6285 / 2858		5285 / 2402		4935 / 2235	5 / 6
triple	104.4 / 2651	234.5 / 5955	73.8 / 1874	5290 / 2406		4260 / 1936		3910 / 1775	5 / 6
triple	112.2 / 2851	254.1 / 6455	81.6 / 2074	4335 / 1972		3380 / 1536		3030 / 1375	5 / 6

Model E30P 600HL		42" forks		1515 Mast	SE tires 23 x 10-12			Tilt	
mast type	closed height inch <b>h1</b> mm	lift height inch <b>h3</b> mm	free lift inch <b>h2</b> mm	standard carriage Lb. Kg		integral SS carriage Lb. Kg		hang-on SS carriage Lb. Kg	f° / b°
simple	87.6 / 2224	126.0 / 3200	0	6500 / 3000		6500 / 3000		6150 / 2790	5 / 8
simple	104.3 / 2649	159.5 / 4050	0	6500 / 3000		6500 / 3000		6150 / 2790	5 / 8
dual	87.6 / 2226	126.6 / 3215	57.1 / 1449	6500 / 3000		6500 / 3000		6150 / 2790	5 / 6
dual	98.5 / 2501	148.2 / 3765	67.9 / 1724	6500 / 3000		6500 / 3000		6150 / 2790	5 / 6
triple	87.6 / 2226	188.2 / 4780	57.1 / 1449	6500 / 3000		6165 / 2804		5815 / 2635	5 / 6
triple	96.5 / 2452	210.8 / 5355	65.9 / 1674	6285 / 2858		5285 / 2402		4935 / 2790	5 / 6
triple	104.4 / 2651	234.5 / 5955	73.8 / 1874	5290 / 2406		4260 / 1936		3910 / 2240	5 / 6
triple	112.2 / 2851	254.1 / 6455	81.6 / 2074	4335 / 1972		3380 / 1536		3030 / 1375	5 / 6

Model E35P HL		42" forks		1515 Mast	SE tires 315 / 45-12			Tilt	
mast type	closed height inch <b>h1</b> mm	lift height inch <b>h3</b> mm	free lift inch <b>h2</b> mm	standard carriage Lb. Kg		integral SS carriage Lb. Kg		hang-on SS carriage Lb. Kg	f° / b°
simple	87.6 / 2224	126.0 / 3200	0	7030 / 3190		7030 / 3190		6680 / 3030	5 / 8
simple	104.3 / 2649	159.5 / 4050	0	7030 / 3190		7010 / 3180		6680 / 3030	5 / 8
dual	87.6 / 2226	126.6 / 3215	57.1 / 1449	7030 / 3190		7030 / 3190		6680 / 3030	5 / 6
dual	98.5 / 2501	148.2 / 3765	67.9 / 1724	7030 / 3190		7030 / 3190		6680 / 3030	5 / 6
triple	87.6 / 2226	188.2 / 4780	57.1 / 1449	6875 / 3120		6570 / 2980		6220 / 2820	5 / 6
triple	96.5 / 2452	210.8 / 5355	65.9 / 1674	6525 / 2960		5775 / 2620		5425 / 2460	5 / 6
triple	104.4 / 2651	234.5 / 5955	73.8 / 1874	5530 / 2510		4630 / 2100		4280 / 1940	5 / 6
triple	112.2 / 2851	254.1 / 6455	81.6 / 2074	4540 / 2060		3680 / 1670		3330 / 1510	5 / 6

# Downrating Charts\*

Reference: capacities based on SE tires with simple mast, carriage, and 42" forks only.



\* For quick reference only, contact factory for detailed ratings.

\* Capacity ratings will be affected by changing forks, load center, and/or drive tires.

# Features

## Linde compact drive axle

- Dual motor drive design with high performance Linde AC technology
- Optimum energy efficiency
- Maintenance-free oil-bath service brake
- Automatic parking brake
- Electronic components located in sealed enclosure for complete protection



## Linde hydrostatic power steering

- Minimal physical demands on the operator
- Compact ergonomically designed steering wheel
- Linde combi steer axle for outstanding maneuverability

## Linde dual pedal travel control

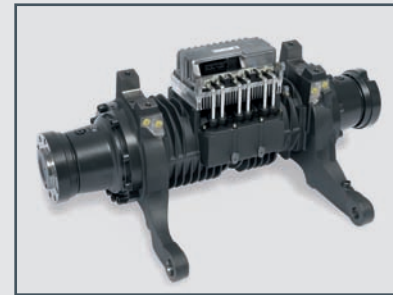
- Smooth, rapid directional change without repositioning the feet
- Short pedal stroke
- Increased productivity and performance

## Linde Load Control (LLC)

- Individual control levers integrated in an adjustable armrest
- Precise and effortless operation of all mast functions
- Safe and highly efficient load handling

## Linde dual motor drive

- Two powerful AC drive motors integrated in the front axle
- Smooth acceleration and variable torque characteristics
- Extremely quiet in operation



## Linde operator compartment

- Ergonomically designed for efficient, low fatigue operation
- Spacious operator compartment with generous foot room
- Cushioned comfort — floating cab

## Linde clearview mast design

- Top mounted tilt cylinders for smooth load control and stability
- Excellent view of load and surroundings
- High residual capacities in all applications

## Linde energy management

- Optimized energy consumption
- Accurate battery condition indicator
- Simple battery changing options

Linde Material Handling North America Corporation  
2450 West 5th North Street, Summerville, SC 29483  
Phone: (843) 875.8000 • Truck Sales Fax: (843) 875.8471  
E-mail: trucksales@lmh-na.com • Web Site: www.lmh-na.com

Linde Material Handling

ANSI: Standard truck meets all applicable mandatory requirements of ANSI/ITSDF B56.1 standards for powered industrial trucks.  
NOTE: Performance data may vary due to motor and system efficiency tolerances. The performance depicted represents nominal values obtained under typical operating conditions. Metric dimensions are in millimeters unless otherwise specified. All metric dimensions are not direct equivalents due to rounding data. The descriptions and specifications included on this data sheet were in effect at the time of printing. Linde Material Handling North America Corporation reserves the right to make improvements and changes in specification or design without notice and without incurring obligation. Please check with your authorized Linde dealer for information on possible updates or revisions.

linde\_spec\_387\_1211  
USA\_V1.2-011912