

Features

Original Linde hydrostatic drive

- Responsive, smooth and precise driving
- No differential, no service brakes, no mechanical transmission parts
- Low maintenance cost, long service



Linde ProtectorFrame

- Safe and robust chassis
- Incorporated access areas
- Unparalleled operator protection

Linde dual travel control

- Quick directional changes
- Short pedal stroke
- Increased productivity
- Limited operator fatigue

Linde Load Control (LLC)

- Accurate, safe load handling
- Effortless control of all hydraulic functions
- Traction and hydraulics operate completely independent from each other

High-efficiency engine

- Low exhaust emissions
- Low fuel consumption
- Most up-to-date engine monitoring and operating technology
- 15.3 G capacity fuel tank (diesel)



Operator compartment

- Designed to stringent ergonomic standards
- Spacious cab with generous leg room
- Outstanding all-around visibility

Linde Truck Control (LTC)

- Highly reliable electronics
- Outstanding dependability due to dual monitoring systems
- Easily adjustable performance parameters

Linde clear-view mast

- Superb visibility
- Exceptional residual capacity
- Electronic limiting of tilt angle

Linde Material Handling North America Corporation
 2450 West 5th North Street, Summerville, SC 29483
 Phone: (843) 875.8000 · Truck Sales Fax: (843) 875.8471
 E-mail: trucksales@lmh-na.com · Web Site: www.lmh-na.com



ANSI: Standard truck meets all applicable mandatory requirements of ANSI/ISO 856.1 standards for powered industrial trucks.
 NOTE: Performance data may vary due to motor and system efficiency tolerances. The performance depicted represents nominal values obtained under typical operating conditions. Metric dimensions are in millimeters unless otherwise specified.
 All metric dimensions are not direct equivalents due to rounding data. The descriptions and specifications included on this data sheet were in effect at the time of printing. Linde Material Handling North America Corporation reserves the right to make improvements and changes in specification or design without notice and without incurring obligation. Please check with your authorized Linde dealer for information on possible updates or revisions.



Diesel and LPG Forklift Trucks
 5000, 6000 and 7000 lb. Capacity
 H25D/T, H30D/T, and H35D/T
 SERIES 393



Safety

This truck features the exclusive Linde ProtectorFrame overhead guard and frame system that offers unparalleled protection for the driver. The top mounted tilt cylinders allow for a mast design which maximizes all-around visibility, while optimizing truck stability.

Performance

Advanced engine and drive technology combined with the original Linde Load Control system enable the operator to utilize the truck's vast potential for greatest possible productivity. The exclusive Linde dual pedal travel control allows smooth directional changes and precise maneuvering, even in the tightest areas.

Comfort

A comfortable operator is a productive and safe operator. That's why the 394 series is designed to the latest ergonomic standards. A multitude of features such as the armrest, full suspension seat, ample foot room, and an adjustable steering column, are all part of a comprehensive effort to keep the operator comfortable and secure.

Low Maintenance & Outstanding Durability

Exclusive features like Linde hydrostatic drive, neoprene mounting of axles, and mast & tilt cylinders, all contribute extensively to low maintenance. The longest maintenance intervals in the industry are just one result of applied know-how and engineering. Even in the harshest applications this truck series offers a proven combination of reliability and durability resulting in long service life.

Standard and optional equipment

Standard equipment:

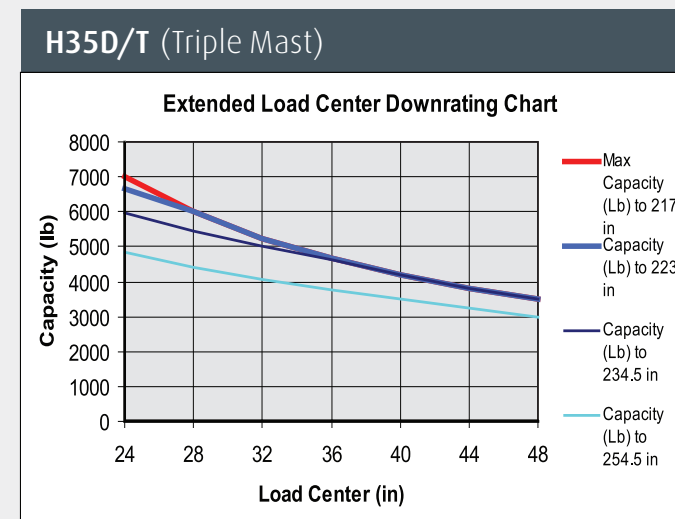
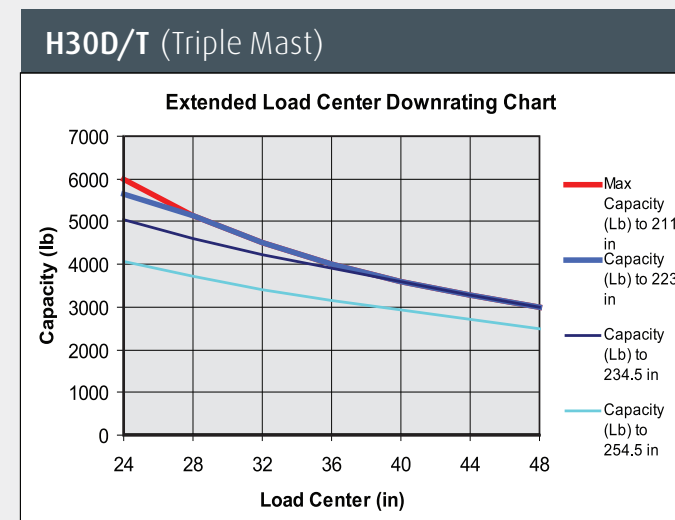
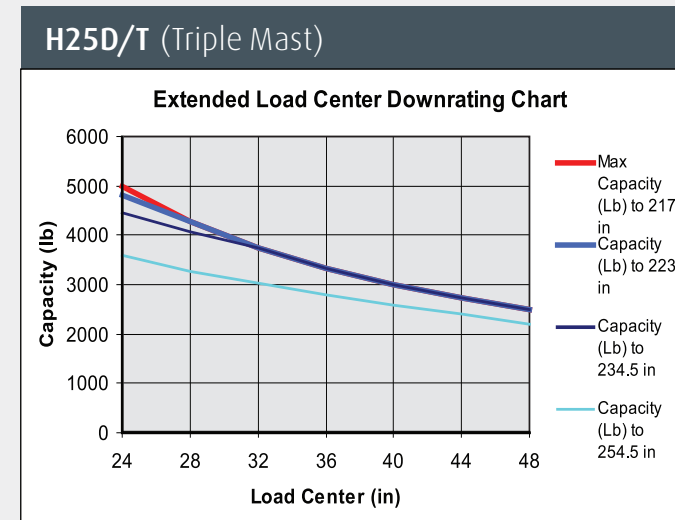
Linde dual pedal travel control	Load backrest (LBR)
Linde Load Control (LLC)	Comprehensive, anti-glare display
High comfort, fully adjustable suspension seat	Overhead tilt cylinders
Tilt steering column	Headlights
Low effort power steering	Zero maintenance mast and tilt cylinder mounting
Linde operator protector frame	3-function hydraulic control valve with "finger-tip control" handles and armrest
High-performance hydraulic filters	Ultra sonic fuel level indicator (LP)
3-way regulated catalytic converter (LPG engine)	

Options:

Single pedal travel control	Cab/overhead guard protection kits
Simple, dual and triple masts and carriages	Additional lighting
Hang-on sideshifter	BU alarm
Various special fork sizes	Mirrors
Integrated sideshifter	Special packages; recycling, foundry, etc
Additional hydraulic functions	Tire options; twin, SE, radial
Tilt memory	Reduced speed settings
Variety of operator cabs	Linde Engine Protection Systems (LEPS)
Cab heater, defroster	
Air conditioning	Other options available on request

Downrating Charts*

Reference SE tires with standard carriage and forks only



* For quick reference only, contact factory for detailed ratings.

** Capacity ratings can be affected by changing forks, load center, and/or drive tires.

Capacity*

Mast Capacity Table

h1	h3	h2	
88.5	124.5	0.0	Simple
92.5	132.0	0.0	Simple
98.5	144.0	0.0	Simple
102.5	152.0	0.0	Simple
86.5	123.0	56.5	Dual
90.5	131.0	60.0	Dual
96.5	142.5	66.0	Dual
100.5	150.5	70.0	Dual
86.5	183.5	56.5	Triple
88.5	189.5	58.5	Triple
90.5	195.5	60.0	Triple
96.5	211.0	66.0	Triple

393 Series Model H25D/T

1.5" x 4" x 42" Forks**
SE 28 x 12.5-15 Drive Tires**

Capacity (lb) @ 24" Load Center**

Std. Carriage*	Integral SS Carriage*	Hang-on SS Carriage*
5000	5000	4700
5000	5000	4700
5000	5000	4700
5000	5000	4700
5000	5000	4700
5000	5000	4700
5000	5000	4700
5000	5000	4700
5000	5000	4700
5000	5000	4700
5000	4925	4700

393 Series Model H30D/T

1.75" x 4" x 42" Forks**
SE 28 x 12.5-15 Drive Tires**

Capacity (lb) @ 24" Load Center**

Std. Carriage*	Integral SS Carriage*	Hang-on SS Carriage*
6000	6000	5605
6000	6000	5605
6000	6000	5605
6000	6000	5605
6000	6000	5605
6000	6000	5605
6000	6000	5605
6000	6000	5605
6000	6000	5605
6000	5845	5605
6000	5055	5055

393 Series Model H35D/T

1.75" x 5" x 42" Forks**
SE 28 x 12.5-15 Drive Tires**

Capacity (lb) @ 24" Load Center**

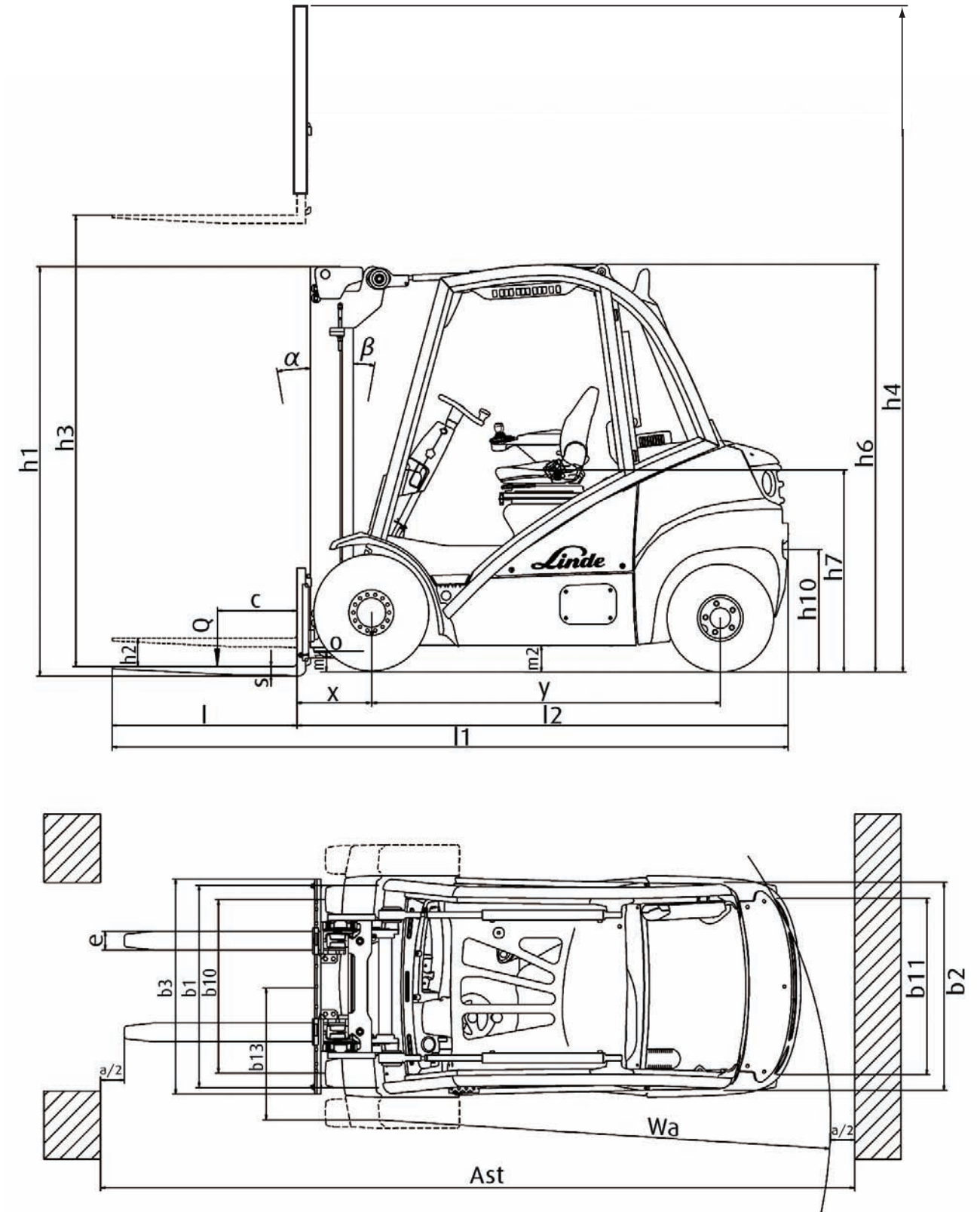
Std. Carriage*	Integral SS Carriage*	Hang-on SS Carriage*
7000	7000	6500
7000	7000	6500
7000	7000	6500
7000	7000	6500
7000	7000	6500
7000	7000	6500
7000	7000	6500
7000	7000	6500
7000	7000	6500
7000	7000	6500
7000	6760	6500
7000	6000	6000

Mast Capacity Table

h1	h3	h2	
88.5	124.5	0.0	Simple
92.5	132.0	0.0	Simple
98.5	144.0	0.0	Simple
102.5	152.0	0.0	Simple
86.5	123.0	56.5	Dual
90.5	131.0	60.0	Dual
96.5	142.5	66.0	Dual
100.5	150.5	70.0	Dual
86.5	183.5	56.5	Triple
88.5	189.5	58.5	Triple
90.5	195.5	60.0	Triple
96.5	211.0	66.0	Triple

Mast Capacity Table

h1	h3	h2	
88.5	124.5	0.0	Simple
92.5	132.0	0.0	Simple
98.5	144.0	0.0	Simple
102.5	152.0	0.0	Simple
86.5	123.0	56.5	Dual
90.5	131.0	60.0	Dual
96.5	142.5	66.0	Dual
100.5	150.5	70.0	Dual
86.5	183.5	56.5	Triple
88.5	189.5	58.5	Triple
90.5	195.5	60.0	Triple
96.5	211.0	66.0	Triple



Technical data

SERIES 393 D/T
August 2011

Characteristics	Linde		Linde		Linde		1.1		
	H25D	H25T	H30D	H30T	H35D	H35T			
1.1	Linde		Linde		Linde		1.1		
1.2	H25D	H25T	H30D	H30T	H35D	H35T	1.2		
1.3	Diesel		LPG		Diesel		LPG	1.3	
1.4	Seated		Seated		Seated		1.4		
1.5	Q (lb)	5000	5000	6000	6000	7000	7000	1.5	
1.6	c (in)	24	24	24	24	24	24	1.6	
1.8	x (in)	17.5	17.5	17.5	17.5	17.7	17.7	1.8	
1.9	(in)	74.9	74.9	75.9	75.9	77.4	77.4	1.9	
Weight	2.1	(lb)	8531	8487	9303	9259	10317	10284	2.1
	2.2	(lb)	12500 / 1543	12412 / 1587	14153 / 1763	14065 / 1807	15961 / 2072	15884 / 2116	2.2
	2.3	(lb)	4254 / 4276	4166 / 4321	4299 / 5004	4210 / 5048	4519 / 5798	4442 / 5842	2.3
Wheels & Tires	3.1	P		P		P		3.1	
	3.2	(in)	27 x 10-12 ¹ / 20PR		27 x 10-12 ¹ / 20PR		27 x 10-12 ¹ / 20PR		3.2
	3.3	(in)	23 x 9-10		23 x 9-10		23 x 9-10		3.3
	3.5		2 x / 2 ²		2 x / 2 ²		2 x / 2 ²		3.5
	3.6	b10 (in)	39.7 ³	39.7 ³	39.7 ³	39.7 ³	39.7 ³	39.7 ³	3.6
	3.7	b11 (in)	36.7	36.7	36.7	36.7	36.7	36.7	3.7
	Dimensions	4.1	degrees (°)	5.0 / 8.0 ⁴	5.0 / 8.0 ⁴	5.0 / 8.0 ⁴	5.0 / 8.0 ⁴	5.0 / 8.0 ⁴	5.0 / 8.0 ⁴
4.2		h1 (in)	See mast table		See mast table		See mast table		4.2
4.3		h2 (in)	See mast table		See mast table		See mast table		4.3
4.4		h3 (in)	See mast table		See mast table		See mast table		4.4
4.5		h4 (in)	h3 + 48"		h3 + 48"		h3 + 48"		4.5
4.7		h6 (in)	87 ⁵	87 ⁵	87 ⁵	87 ⁵	87 ⁵	87 ⁵	4.7
4.8		h7 (in)	43.5	43.5	43.5	43.5	43.5	43.5	4.8
4.12		h10 (in)	27.5	27.5	27.5	27.5	27.5	27.5	4.12
4.19		l1 (in)	149.4	149.4	150.4	150.4	152	152	4.19
4.20		l2 (in)	107.4	107.4	108.4	108.4	110	110	4.20
4.21		b1/b2 (in)	49.5 ⁶ / 49.5	49.5 ⁶ / 49.5	49.5 ⁶ / 49.5	49.5 ⁶ / 49.5	49.5 ⁶ / 49.5	49.5 ⁶ / 49.5	4.21
4.22		s/e/l (in)	1.75 / 4 / 42	1.75 / 4 / 42	1.75 / 4 / 42	1.75 / 4 / 42	1.75 / 4 / 42	1.75 / 4 / 42	4.22
4.23			Class 3	Class 3	Class 3	Class 3	Class 3	Class 3	4.23
4.24		b3 (in)	45.3 ⁷	45.3 ⁷	45.3 ⁷	45.3 ⁷	45.3 ⁷	45.3 ⁷	4.24
4.31		m1 (in)	4.7	4.7	4.7	4.7	4.6	4.6	4.31
4.32		m2 (in)	6.8	6.8	6.8	6.8	6.7	6.7	4.32
4.33		Ast (in)	168.7 ⁸	168.7 ⁸	169.7 ⁸	169.7 ⁸	171.1 ⁸	171.1 ⁸	4.33
4.34		112.7 ¹⁰	112.7 ¹⁰	113.7 ¹⁰	113.7 ¹⁰	115.10 ¹⁰	115.10 ¹⁰	4.34	
4.35	Wa (in)	95.3	95.3	96.2	96.2	97.5	97.5	4.35	
Performance	5.1	(mph)	13.75 / 13.75	13.75 / 13.75	13.75 / 13.75	13.75 / 13.75	13.75 / 13.75	13.75 / 13.75	5.1
	5.2	(fpm)	92.5 / 94.5	104.3 / 110	104.3 / 110	104.3 / 110	94.5 / 98.5	94.5 / 98.5	5.2
	5.3	(fpm)	106.3 / 102.3	106.3 / 102.3	106.3 / 102.3	106.3 / 102.3	106.3 / 102.3	106.3 / 102.3	5.3
	5.5	(lbs)	4502 / 3405	4502 / 3405	4448 / 3439	4448 / 3369	4448 / 3617	4448 / 3554	5.5
	5.7	(%)	32 / 33	32 / 33	27 / 30	26 / 30	24 / 28	23 / 28	5.7
	5.9	(sec)	5.6 / 4.8 ⁹	6.0 / 5.2 ⁹	5.6 / 4.8 ⁹	6.1 / 5.3 ⁹	5.7 / 4.9 ⁹	6.1 / 5.3 ⁹	5.9
5.10		Hydrostatic		Hydrostatic		Hydrostatic		5.10	
Engine	7.1		VW / CBH.A	VW / BEF	VW / CBH.A	VW / BEF	VW / CBH.A	VW / BEF	7.1
	7.2	(hp)	59	53	59	53	59	53	7.2
	7.3	(rpm)	2800	2600	2800	2600	2800	2600	7.3
	7.4	(cu inches)	4 / 120	4 / 115.7	4 / 120	4 / 115.7	4 / 120	4 / 115.7	7.4
Other	8.1		Hydrostatic		Hydrostatic		Hydrostatic		8.1
	8.2	(psi)	2465	2465	2465	2465	2465	2465	8.2
	8.3	(gpm)	10.5	10.5	10.5	10.5	10.5	10.5	8.3
	8.4	(dB)	77	77	77	77	77	77	8.4

Footnotes

- ¹ Optional tires available
- ² 4x with twin tires
- ³ 47.4 with twin tires
- ⁴ 5° with triplex mast
- ⁵ Low ohg available
- ⁶ 63.4 with twin tires
- ⁷ Wider carriages available
- ⁸ Including 48" load or forks, and 8" operational clearance
- ⁹ 0 mph to maximum speed
- ¹⁰ Add load length, add operational clearance