



Electric Forklift Trucks

8000, 9000 and 10000 lb. Capacity
RX60-40, RX60-45, RX60-50, and RX60-50/600
SERIES RX60

Linde Material Handling



Safety

Excellent visibility of the load and through the mast, a key element for forklift safety, is accomplished with a unique rail design and with two free lift cylinders instead of one. This translates into a drastically improved field of vision. To safely adapt to operating conditions and customer requirements, performance parameters are adjustable. The "ramp hold" function automatically keeps the truck in position on a grade without the operator stepping on the brake.

Unmatched Performance

The new rail design also strengthens the mast and limits deflection, resulting in a superior residual capacity. Fast travel speed of 12 mph and lift speed of 100 fpm, enable this truck to operate in place of engine powered units. To negotiate railroad crossings, curbs, steep ramps or other obstacles, the truck features an automatic power boost. The boost briefly activates when the system senses demand.

Ergonomic Excellence

Power and durability mean very little if driver fatigue becomes a problem. That's why we designed the RX60 to minimize strain on the operator throughout the demanding work day. A multitude of features such as low noise level, floating operator compartment, tilted floor board, fully adjustable suspension seat, and adjustable steering column are all part of the

comprehensive ergonomic design with the sole purpose of keeping the operator comfortable and secure.

Designed-in Durability

Durability is a Linde design objective. All components and assemblies are tested to meet rigorous longevity standards. The heavy duty cast ductile iron steer axle represents a robust structure. Major electrical component placement inside the counterweight offers protection. Naturally occurring heat during operation dissipates into the counterweight. Thermal protectors monitor components and limit performance in case of high temperature.

Standard and optional equipment

Standard Equipment

Hydrostatic power steering

Linde dual pedal travel control

Individual hydraulic control levers, integrated into the adjustable armrest

80 Volt electrical system

20 HP, high performance, maintenance free, AC drive motor

34 HP, high performance, and maintenance free hydraulic motor

Full suspension, adjustable, PVC operator's seat with armrest

Comprehensive digital display instrument

Automatic parking brake

Generous storage space for writing materials and miscellaneous items

Optional Equipment

Single pedal travel control

Simple masts

Triple masts

ITA fork carriage

Various standard and special fork sizes

Integrated sideshifting carriage

Hydraulic circuits for attachments

Front, rear, and top screens with wipers

Full cab with hinged doors

Cab heater / defroster

Fabric covered seat

Swivelling seat (17°)

Additional lighting

Full road lighting

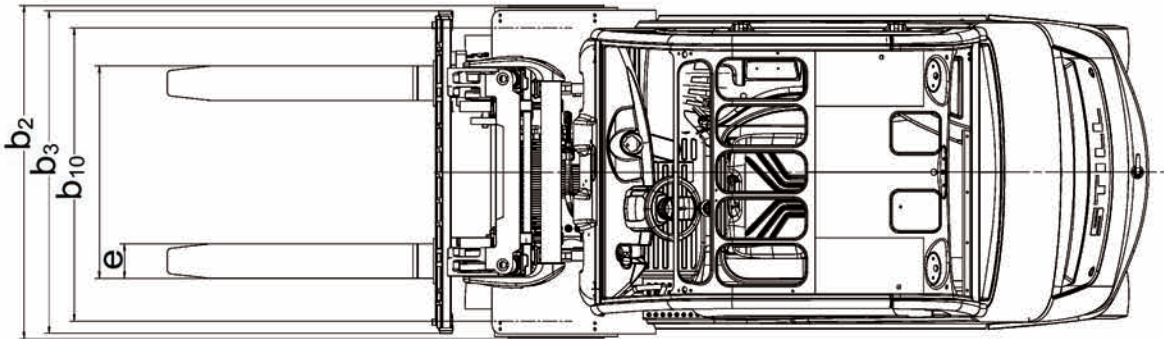
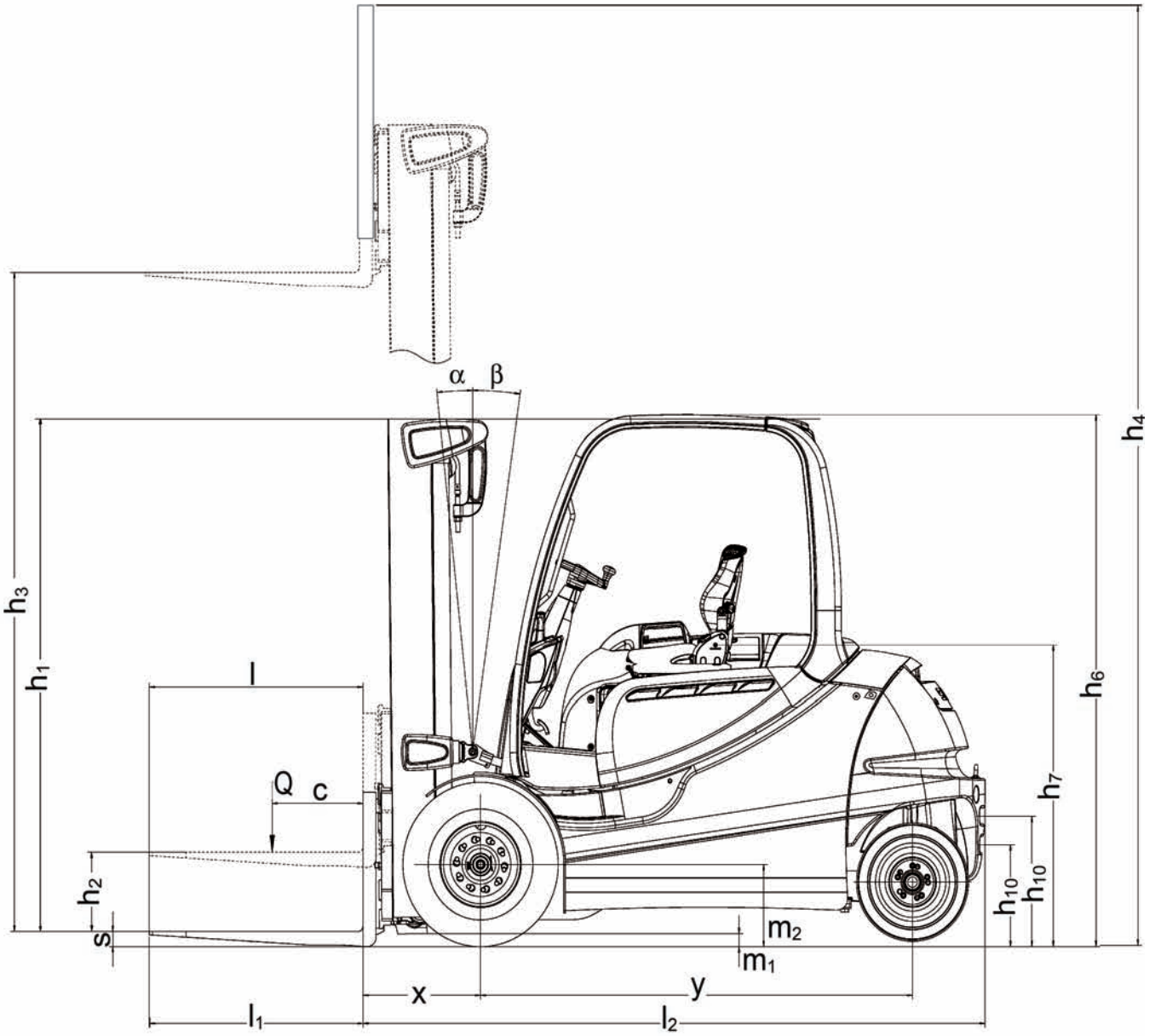
Flashing beacon

Backup alarm

External, internal mirrors

Cold store protection

Other options available on request



Technical data

December 2011 / Series RX60-40, RX60-45, RX60-50, RX60-50/600)

Characteristics	1.1	Manufacturer				
	1.2	Model designation				
	1.3	Power unit: battery, diesel, gasoline, LP gas, AC				
	1.4	Operation: manual, pedestrian, rider standing, rider seated, order picker				
	1.5	Load capacity	Q	lb.	kg	
	1.6	Load center (axle center to fork face)	c	in.	mm	
	1.8	Load distance (front overhang)	x	in.	mm	
	1.9	Wheelbase	y	in.	mm	
	Weight	2.1	Service weight with min. battery		lb.	kg
2.2		Axle loading with load, front/rear		lb.	kg	
2.3		Axle loading without load, front/rear		lb.	kg	
Wheels & Tires	3.1	Tire type - front/rear: C (cushion), SE (cushion super elastic), P (pneumatic)				
	3.2	Tire size: front			in.	
	3.3	Tire size: rear			in.	
	3.5	Wheels: number front/rear (x = driven)				
	3.6	Track width, front	b10	in.	mm	
	3.7	Track width, rear		in.	mm	
	Dimensions	4.1	Mast/fork carriage tilt: forward/back			deg.
4.2		Height of mast lowered	h1	in.	mm	
4.3		Free lift	h2	in.	mm	
4.4		Lift	h3	in.	mm	
4.5		Height of mast extended	h4	in.	mm	
4.7		Height of overhead guard/cab	h6	in.	mm	
4.8		Height of seat	h7	in.	mm	
4.12		Height of tow coupling	h10	in.	mm	
4.19		Overall length, with 42" forks		in.	mm	
4.20		Length to fork face	l2	in.	mm	
4.21		Overall width	b2	in.	mm	
4.22		Fork dimensions	s/e/l		in.	
4.23		Fork carriage: class				
4.24		Width of fork carriage	b3	in.	mm	
4.31		Ground clearance under mast, with load	m1	in.	mm	
4.32		Ground clearance, center of wheelbase	m2	in.	mm	
4.33		Aisle width, with 48" load	Ast	in.	mm	
4.34	Aisle width, with other load lengths	Ast	in.	mm		
4.35	Turning radius	Wa	in.	mm		
Performance	5.1	Travel speed, with/without load		mph	km/h	
	5.2	Lifting speed, with/without load		fpm	m/s	
	5.3	Lowering speed, with/without load		fpm	m/s	
	5.5	Tractive force, with/without load		lbs./f	N	
	5.6	Maximum tractive force, with/without load (5 min. rating)		lbs./f	N	
	5.7	Climbing ability, with/without load (electric, 30 min. rating)		%		
	5.8	Maximum climbing ability, with/without load (5 min. rating)		%		
	5.10	Service brake				
	Drive	6.1	Drive motor (60 min. rating)		hp	kW
		6.2	Lift motor (15% rating)		hp	kW
6.3		Battery compartment dimensions (maximum) l x w x h			in.	
6.4		Battery voltage		V	V	
6.5		Battery weight (US battery) minimum/maximum		lbs.	kg	
Other	8.2	Working pressure for attachments		psi	bar	
	8.3	Oil flow for attachments		gpm	l/m	
	8.5	Tow coupling design type				

^{1a} Includes 48" load and 8" operational clearance

^{1b} Plus length of load, plus at least 8" for operational clearance

² With 91/117.5 simple mast. Add 440 lbs. for 92.5/182.5 triple mast

³ 66.1" wide with optional dual tires

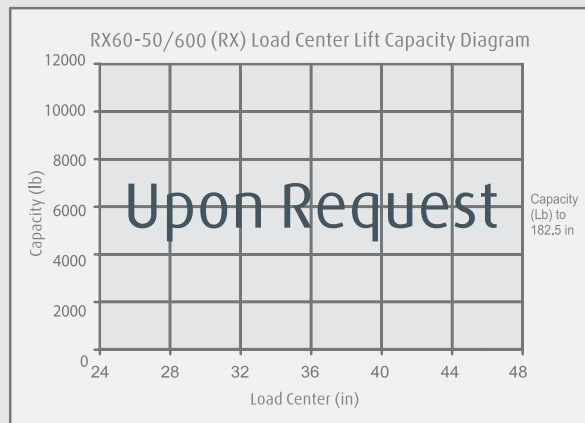
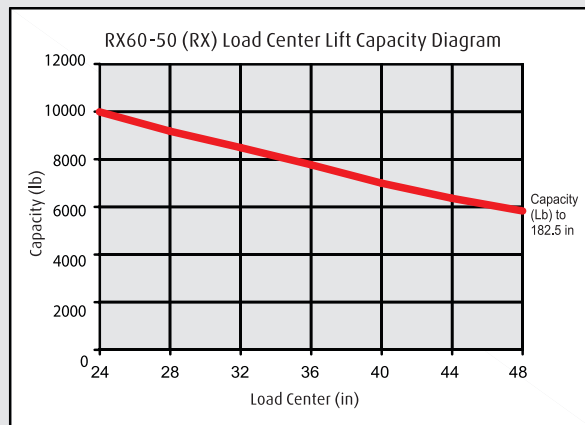
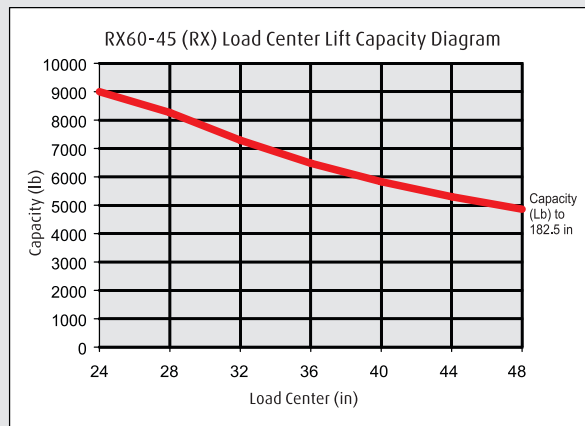
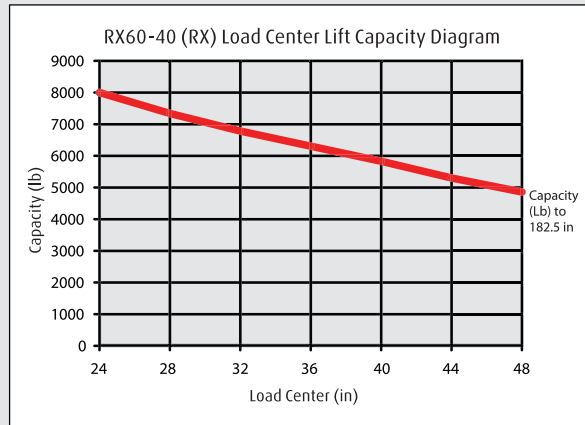
⁴ Capacity ratings can be affected by changing forks, load center, and

⁵ Height with battery slides 32.43"

Linde		Linde		Linde		Linde		1.1
RX60-40		RX60-45		RX60-50		RX60-50/600		1.2
Battery		Battery		Battery		Battery		1.3
Rider seated		Rider seated		Rider seated		Rider seated		1.4
8000	4000	9000	4500	10000	5000	11000	5000	1.5
24	500	24	500	24	500	24	600	1.6
20.7	525	20.7	525	20.7	525	21.1	535	1.8
79.6	2021	79.6	2021	79.6	2021	82.2	2088	1.9
14249 ²	6477 ²	14944 ²	6793 ²	15653 ²	7115 ²	16964 ²	7711 ²	2.1
20451/2598	9296/1181	22246/1181	10112/1181	23944/2686	10884/1221	25403/2538	11547/1154	2.2
7189/7059	3268/3209	7323/7618	3329/3463	7398/8254	3363/3752	8459/8505	3845/3866	2.3
SE ⁴		SE ⁴		SE ⁴		SE ⁴		3.1
28 x 12.5 - 15		28 x 12.5 - 15		28 x 12.5 - 15		28 x 12.5 - 15		3.2
21 x 8 - 9		21 x 8 - 9		21 x 8 - 9		21 x 8 - 9		3.3
2x / 2		2x / 2		2x / 2		2x / 2		3.5
43.5	1104	43.5	1104	43.5	1104	43.46	1104	3.6
36.2	920	36.2	920	36.2	920	36.3	920	3.7
3.0/9.0		3.0/9.0		3.0/9.0		3.0/6.0		4.1
See mast table		See mast table		See mast table		See mast table		4.2
See mast table		See mast table		See mast table		See mast table		4.3
See mast table		See mast table		See mast table		See mast table		4.4
s + h3 + 48"		s + h3 + 48"		s + h3 + 48"		s + h3 + 48"		4.5
91.4	2322	91.3	2320	91.3	2320	91.4	2320	4.7
49.3	1251	49.2	1249	49.2	1249	49.17	1249	4.8
21.5/16.6	546/421	21.5/16.6	546/421	21.5/16.6	546/421	21.5 / 16.6	546 / 421	4.12
155.7	3953	155.7	3953	155.7	3953	163.9	4163	4.19
113.7	2886	113.7	2886	113.7	2886	116.7	2963	4.20
55.1 ³	1399 ³	55.1 ³	1399 ³	55.1 ³	1399 ³	55.1 ³	1399 ³	4.21
2 x 5 x 42 ⁴		2 x 5 x 42 ⁴		2 x 6 x 42 ⁴		2 x 6 x 42 ⁴		4.22
3A		3A		3A		3A		4.23
47.2	1200	51.6	1310	51.6	1310	51.6	1310	4.24
5.9	150	5.9	150	5.9	150	5.9	150	4.31
5.8	147	5.7	145	5.7	145	5.7	145	4.32
174.3 ¹	4428 ^{1a}	174.3 ¹	4428 ^{1a}	174.3 ¹	4428 ^{1a}	177.3	4504	4.33
118.4 ¹	3008 ^{1b}	118.4 ¹	3008 ^{1b}	118.4 ¹	3008 ^{1b}	121.5	3084	4.34
97.8	2483	97.8	2483	97.8	2483	100.35	2549	4.35
11.8/12.4	19.0/20.0	11.8/12.4	19.0/20.0	11.8/12.4	19.0/20.0	11.2 / 11.9	18.0 / 19.0	5.1
78.7/108.3	0.4/0.55	74.8/90.6	0.38/0.46	65.0/90.6	0.33/0.46	61.0 / 86.0	0.31 / 0.44	5.2
108.3/90.6	0.55/0.46	108.3/90.6	0.55/0.46	108.3/90.6	0.55/0.46	108.0 / 91.0	0.55 / 0.46	5.3
848/987	3770/4390	814/1005	3620/4470	809/989	3600/4400	809/989	3600/4400	5.5
3583/3628	15940/16140	3559/3631	15830/16150	3559/3631	15830/16150	3522 / 3617	15670 / 16090	5.6
11.3/17		9.5/16.8		8.8 / 15.8		7.4 / 13.7		5.7
15.5/25.9		14.3/24.6		13.2 / 23.4		12.6 / 21.4		5.8
Electric/Mechanical		Electric/Mechanical		Electric/Mechanical		Mechanical		5.10
20	15	20	15	20	15	20	15	6.1
34	25	34	25	34	25	33.5	25	6.2
40.9 x 40.0 x 33.4 ⁵		40.9 x 40.0 x 33.4 ⁵		40.9 x 40.0 x 33.4 ⁵		40.9 x 40.0 x 33.4 ⁵		6.4
80		80		80		80		6.3
4561 / 5042	2069 / 2287	4561 / 5042	2069 / 2287	4561 / 5042	2069 / 2287	4561 / 5042	2069 / 2287	6.5
3623	250	3626	250	3626	250			8.2
7.9	30	7.9	30	7.9	30	7.9	30	8.3
Pin		Pin		Pin		Pin		8.5

Downrating Charts*

Reference: capacities based on SE tires with simple mast, carriage, and 42" forks only.



Mast Capacity*

Model RX60-40		42" forks		SE tires 28 x 12.5-15		
mast type	closed height inch h1	lift height inch h3	free lift inch h2	standard carriage Lb.	integral SS carriage Lb.	hang-on SS carriage Lb.
simple	91.0	117.5	0	8000	7410	7330
simple	100.5	137.0	0	8000	7410	7330
triple	92.5	182.5	63.5	8000	7340	7330
triple	98.5	200.0	69.5	8000	7135	7135
triple	102.5	212.0	73.0	8000	6930	6930
triple	110.5	235.5	81.0	7680	5975	5975

Model RX60-45		42" forks		SE tires 28 x 12.5-15		
mast type	closed height inch h1	lift height inch h3	free lift inch h2	standard carriage Lb.	integral SS carriage Lb.	hang-on SS carriage Lb.
simple	91.0	117.5	0	9000	8440	8275
simple	100.5	137.0	0	9000	8440	8275
triple	92.5	182.5	63.5	9000	8300	8275
triple	98.5	200.0	69.5	9000	8030	8030
triple	102.5	212.0	73.0	8665	7760	7760
triple	110.5	235.5	81.0	7805	6275	6275

Model RX60-50		42" forks		SE tires 28 x 12.5-15		
mast type	closed height inch h1	lift height inch h3	free lift inch h2	standard carriage Lb.	integral SS carriage Lb.	hang-on SS carriage Lb.
simple	91.0	117.5	0	10000	9345	9210
simple	100.5	137.0	0	10000	9345	9210
triple	92.5	182.5	63.5	10000	9075	9075
triple	98.5	200.0	69.5	9610	8800	8800
triple	102.4	212.0	73.0	9365	8530	8530
triple	110.5	235.5	81.0	7575	6365	6365

Model RX60-50/600		42" forks		SE tires 28 x 12.5-15		
mast type	closed height inch h1	lift height inch h3	free lift inch h2	standard carriage Lb.	integral SS carriage Lb.	hang-on SS carriage Lb.
simple	90.6 / 2300	109.5 / 2780	0			
simple	100.4 / 2550	129.2 / 3280	0			
triple	92.6 / 2350	170.5 / 4330	52.4 / 1330			
triple	98.5 / 2500	188.2 / 4780	58.3 / 1460			
triple	102.4 / 2600	200.0 / 5080	62.2 / 1580			
triple	110.3 / 2800	223.7 / 5680	70.1 / 1780			

Upon Request

* For quick reference only, contact factory for detailed ratings. * Capacity ratings will be affected by changing forks, load center, and/or tires

Versatile & Energy Efficient

Both indoor and outdoor operations are no problem for the RX60. When equipped with a full cab and an electric heater the RX60 functions in inclement weather like an engine truck. On the other hand, fitted with cold storage equipment, it also will work in freezers with temperatures as low as -20 degrees Fahrenheit.

The use of the dual front tires will add additional stability for wide loads or at high lift heights.

While versatile in a variety of operating conditions the truck is also very efficient. With the highly effective energy return system battery life can be extended by up to 15%.

As previously highlighted all high voltage components are mounted to the counterweight. This design limits energy use while simultaneously extending component life.

Low Maintenance

All machines require maintenance but the RX60 needs it only every 1000 hours. Design features like, automatic deceleration, dual independent CAN-bus control systems, maintenance free brakes and continuous on-board diagnostics make it even easier to keep the RX60 in perfect working condition. The three phase AC system operates without brushes and is completely sealed, extending component life and reducing maintenance expense.

Features

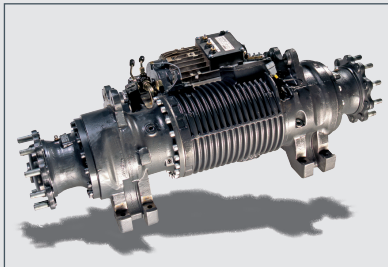


80 Volts electrical system

- AC technology
- Enclosed motors
- Maintenance free

Linde dual travel control

- Quick directional change
- Short pedal stroke
- No leg fatigue
- Increased productivity



Energy efficiency

- Excellent heat dissipation
- Energy return system
- Fully programmable



Low maintenance

- Maintenance free multi-disc brakes
- 1000 hour intervals
- Continuous on-board diagnostics



Operator compartment

- Adjustable steering column
- Full graphic display
- Floating suspension

Linde Truck Control (LTC)

- Dual independent CAN-bus systems
- Power boost
- Automatic deceleration

Linde clearview mast

- Superb visibility
- Dual free lift cylinders
- Exceptional residual capacity

Safety

- Quick-set parking brake
- Ramp hold
- Side battery discharge

Linde Material Handling North America Corporation
2450 West 5th North Street, Summerville, SC 29483
Phone: (843) 875.8000 · Truck Sales Fax: (843) 875.8471
E-mail: trucksales@lmh-na.com · Web Site: www.lmh-na.com

Linde Material Handling

Linde

ANSI: Standard truck meets all applicable mandatory requirements of ANSI/ITSDF B56.1 standards for powered industrial trucks.
NOTE: Performance data may vary due to motor and system efficiency tolerances. The performance depicted represents nominal values obtained under typical operating conditions. Metric dimensions are in millimeters unless otherwise specified. All metric dimensions are rounded to the nearest millimeter.
The descriptions and specifications included on this data sheet were in effect at the time of printing. Linde Material Handling North America Corporation reserves the right to make improvements and changes in specification or design without notice and without incurring obligation. Please check with your authorized Linde dealer for information on possible updates or revisions.

linde_spec_rx60_1211
USA_V1.2.3